

Group 8 Wheels and Tires

GENERAL: This group contains information on the coach wheels and wheel mounting components, including tires.

SPECIFIC: As applicable

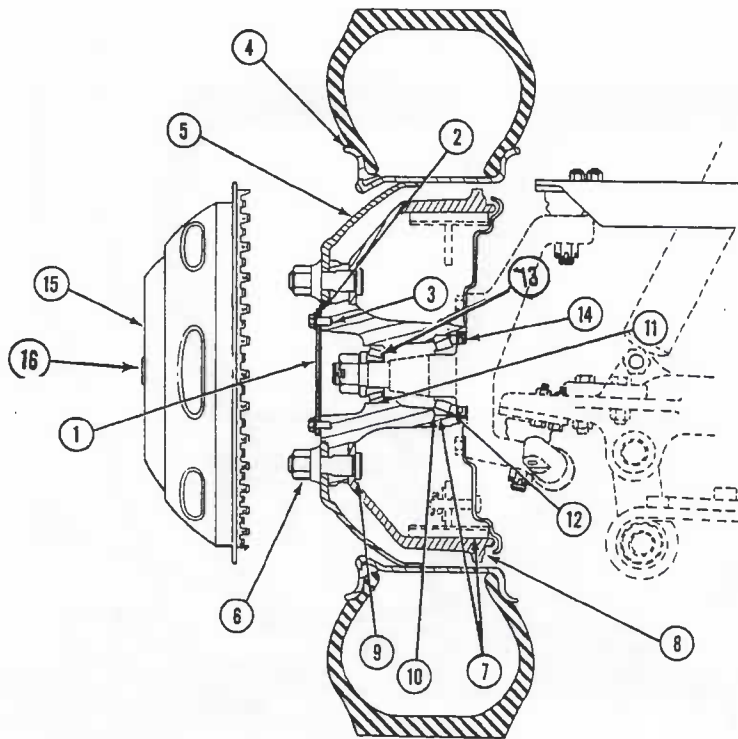
- ...Drive Flanges
- ...Hub Cap
- ...Hubs and Drums
- ...Mud Guards
- ...Spare Tire Carrier
- ...Tires and Tubes
- ...Wheel and Rims
- ...Wheel Bearings
- ...Wheel Covers
- ...Wheel Well Liners



FMC Corporation
Motor Coach Division
333 Brokaw Road Box 664 Santa Clara California 95052

REPAIR PARTS LIST

GROUP 8 Wheels & Tires
MODEL 2900R



SD169

Figure 8-1 Front Wheels

FIG NO.	ITEM NO.	PART NUMBER	ITEM DESCRIPTION	QTY PER UNIT
<u>FRONT WHEELS</u>				
8-1	1	5100787	HUB CAP, Front	2
	2	5100791	GASKET, Front hub cap	2
	3	M18057	SCREW, Hub Cap (1/4 x 20 x 5/8)	12
	3	M17024	WASHER, Hub cap screw, lock (1/4 ID)	12
	4	5100243-02	SIDE RING, Front and rear wheel (GY R5517LW)	6
	5	5100243-01	WHEEL, Front and rear (MWC 85417)	6
8-1	6	5100243-03	NUT, Wheel front and rear (MWC 06605)	20
	7	5100287-501	HUB AND DRUM ASSY, Front wheel	2
	8	5100287-01	DRUM, Front wheel (MWC L-86748R)	1
	9	5107599	STUD, Front wheel (sup 5100287-05)	5
	10	5100287-04	CUP, Front wheel hub, inner (TRB M804010)	1
	11	5100287-03	CUP, Front wheel hub, outer (TRB M86610)	1
8-1	12	5100446-09	CONE ASSY, Front wheel, inner (TRB M804049)	2
	13	5100446-10	CONE ASSY, Front wheel, outer (TRB M86649)	2
	14	5100447-03	SEAL, Front wheel oil (CR 27368)	2
	15	5101789-R001	COVER, Wheel, w/amber reflector (sup 5100672-R001)	2
	16	5101789-R003	REFLECTOR, Wheel cover (amber)	2
		5100103-05	LINER, Wheel well rubber	2
		M25056	RIVET, Liner attaching	20

FMC FMC Corporation
Motor Coach Division
333 Brokaw Road Box 664 Santa Clara California 95052

ISSUED 4/73
REVISED C4 9/76

REPAIR PARTS LIST

GROUP 8 Wheels & Tires
MODEL 2900R

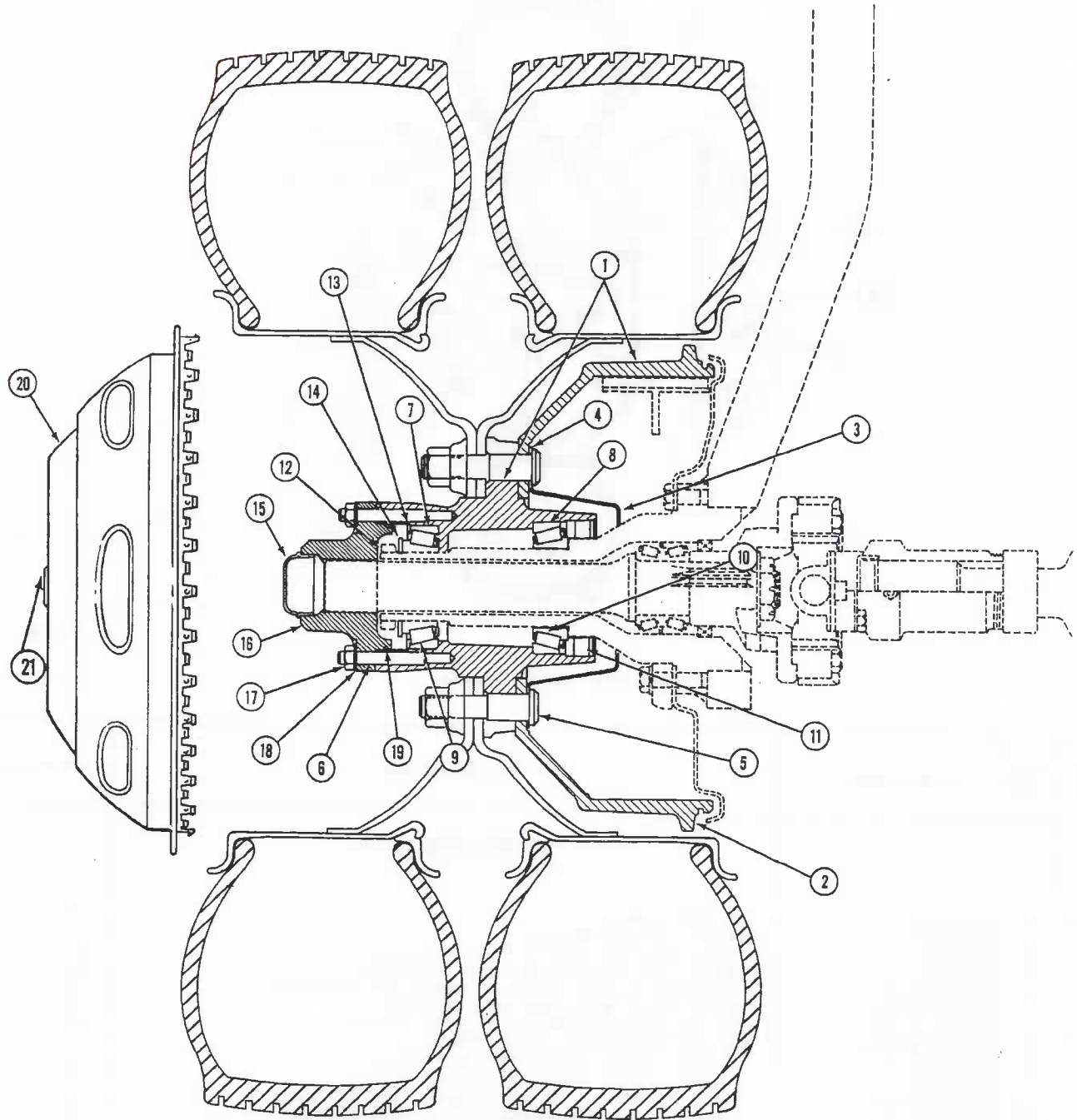


Figure 8-2. Rear Wheels

SD-170

REPAIR PARTS LIST

GROUP 8
MODEL 2900R

FIG NO.	ITEM NO.	PART NUMBER	ITEM DESCRIPTION	QTY PER UNIT
			<u>REAR WHEELS</u>	
8-2	1	5100243-01	WHEEL, Rear (MWC-85417)	4
	2	5100286	HUB AND DRUM ASSY, Rear wheel (MWC L-86747)	2
	3	5100287-01	DRUM, Rear wheel (MWC L-86748R)	1
	4	5100286-R001	OIL SHIELD, Rear wheel drum (MWC 07903)	1
	5	5100286-R002	GASKET, Oil shield (MWC 83101)	1
	6	5100286-R003	STUD, Rear wheel hub (MWC 81614)	5
8-2	7	5100286-R004	STUD, Rear wheel drive (MWC 82467)	8
	8	5100286-R005	CUP, Rear wheel hub, outer (TRB 453-X)	1
	9	5100286-R006	CUP, Rear wheel hub, inner (TRB 3920)	1
	10	5100446-02	CONE ASSY, Rear wheel, outer (TRB 469)	2
	11	5100446-01	CONE ASSY, Rear wheel, inner (TRB 3994)	2
	12	5100447-02	SEAL, Rear wheel oil (CR 31284)	2
8-2	13	5100446-03	NUT, Outer cone adjustment (TRB TN11)	2
	14	5101042	WASHER, Outer cone assy keyed	2
	15	5100446-04	WASHER, Outer cone assy adjustment nut lock (TRB TW111)	2
	16	5100115	HUB CAP, Rear wheel	2
	17	5100059	FLANGE, Rear wheel drive	2
8-2	18	M17011	NUT, Drive flange (7/16 X 20)	16
	19	M17009	WASHER, Drive flange nut lock (7/16 ID)	16
	20	M25039	O-RING, Rear wheel drive flange (PA 2-241N219-7)	2
	21	5101789-R002	COVER, Wheel, w/red reflector (sup 5100672-R002)	2
		5101789-R004	REFLECTOR, Wheel cover (red)	2
		5100103-05	LINER, Wheel well rubber	2
		M25056	RIVET, Liner attaching	20
		5101511-01	FLAP, Rear wheel mud	2
		M25056	RIVET, Mud flap attaching	12
			<u>SPARE WHEEL AND CARRIER</u> <u>(COACH 00646 AND UP)</u>	
		5100243-01	WHEEL, Spare (MWC-85417)	1
		5100243-02	SIDE RING, Spare Wheel (GY-R5517LW)	1
		5106771	COVER, Spare Wheel (White Vinyl w/FMC Logo)	1
		5107153	LANYARD, Spare Wheel Carrier	1
		5107158	SPRING, Spare Wheel Carrier Torsion	1
		5107610	CARRIER, Spare Wheel	1
		M17186	NUT, Spare Wheel Carrier Lock (5/8-11)	1

URGENT

ROUTINE

MANDATORY

INFORMATIONAL

Service Bulletin

DATE 8-14-78

NUMBER _____

ATTENTION: SERVICE MANAGERS AND OWNERS

GROUP

8 and 17

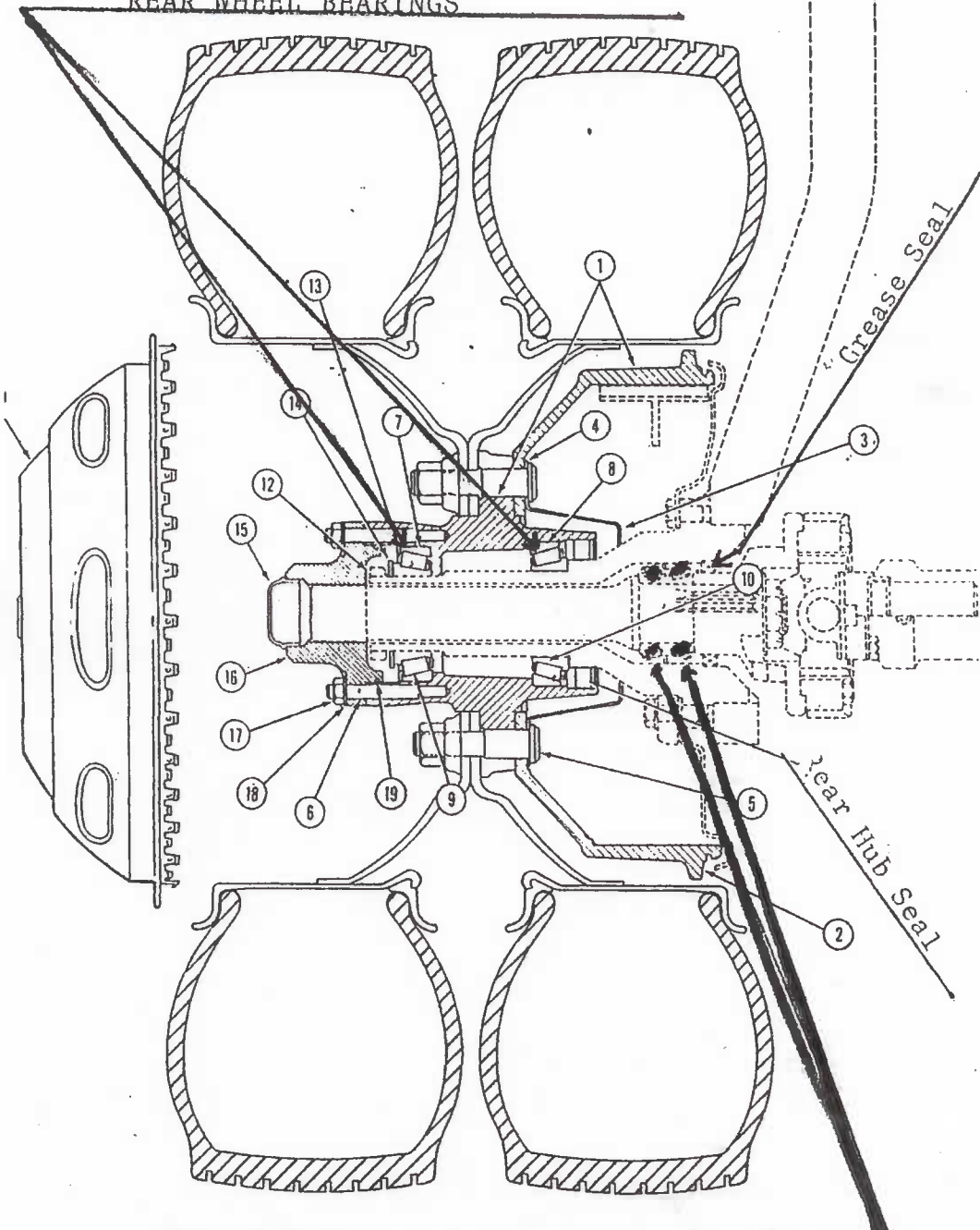
SUBJECT

Lubrication
of Drive Axle
Bearings

Lubrication
of Front and
rear wheel
bearings.

MODEL (S)
AFFECTED

LUBRICATE AT 12 MONTHS OR 12,000 MILES
REAR WHEEL BEARINGS



DRIVE AXLE BEARINGS

Lubricate at 24 months or 24,000 miles