

Group 36 Heating System

GENERAL: This group contains information on the "Domestic" heating and cooking systems, including range, oven, furnace, and all ducts and vents.

SPECIFICS: As applicable

...Furnace Assembly

...Insulated Tubing

...Lines and Fittings to LPG Source

...Oven Assembly

...Ventilation Pipes and Fittings

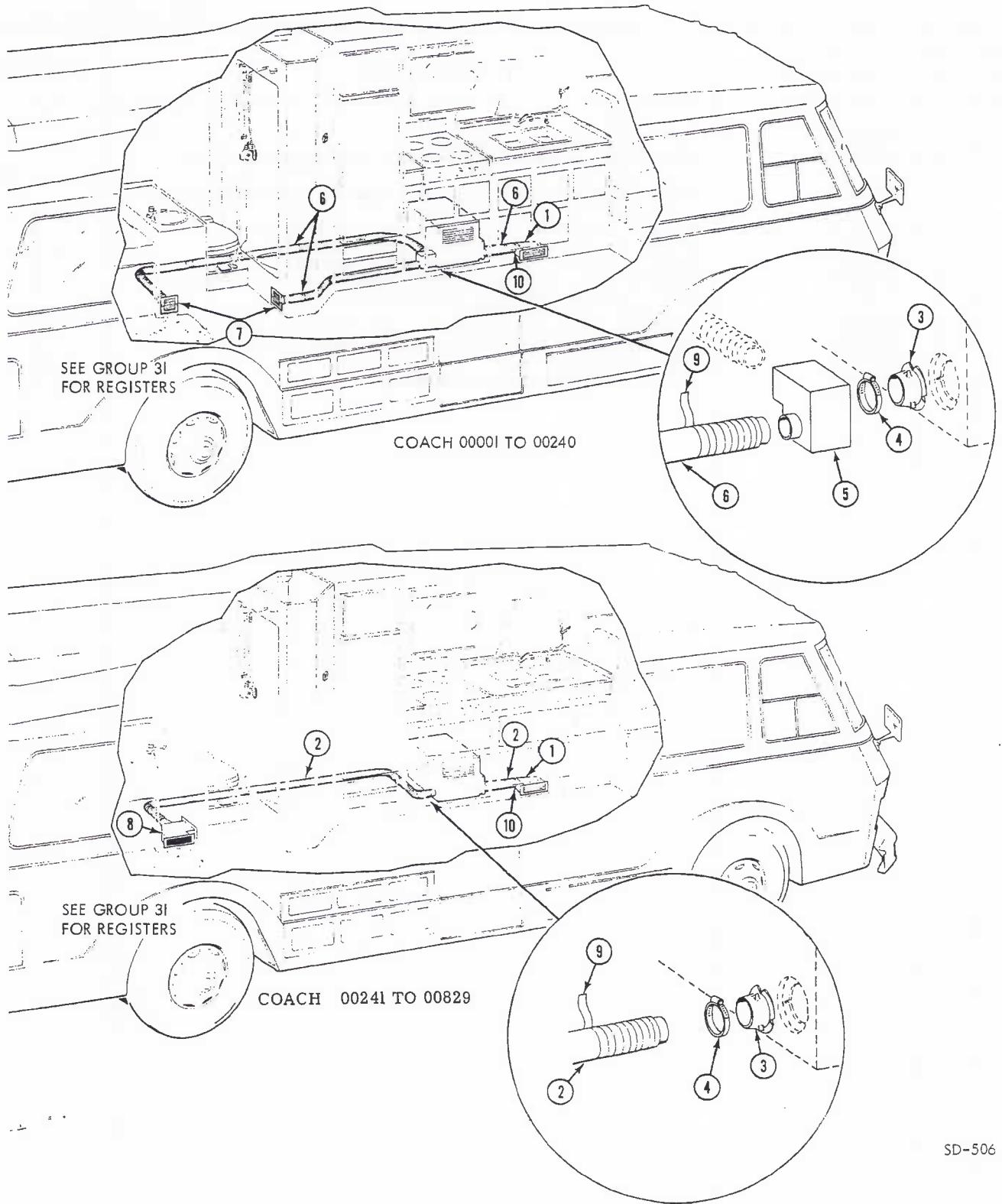
...Wall Thermostats (also see Group 39)

...Range Assembly

...Range Hood Assembly

REPAIR PARTS LIST

GROUP 36 Heating System
MODEL 2900R



SD-506

Figure 36-1. Heating Ducts (COACHES 00001 TO 00829)

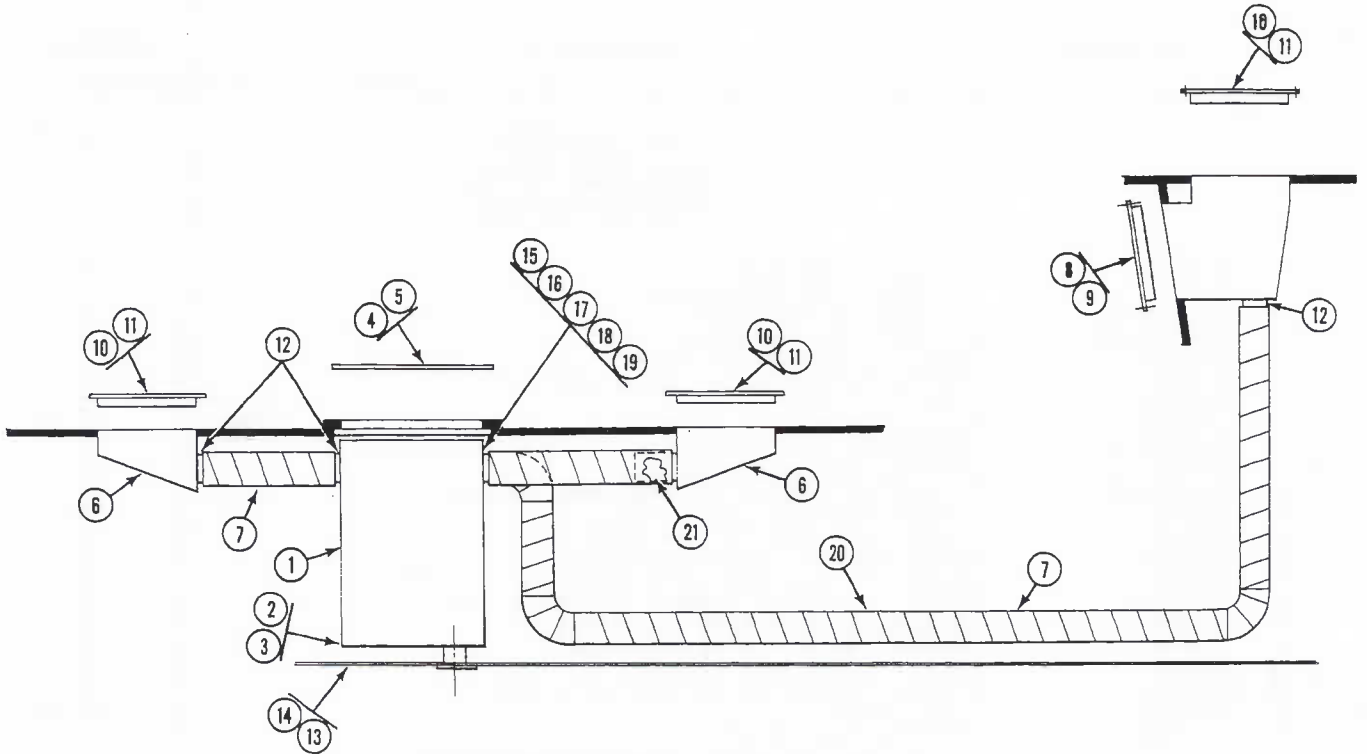
REPAIR PARTS LIST

GROUP 36
MODEL 2900R

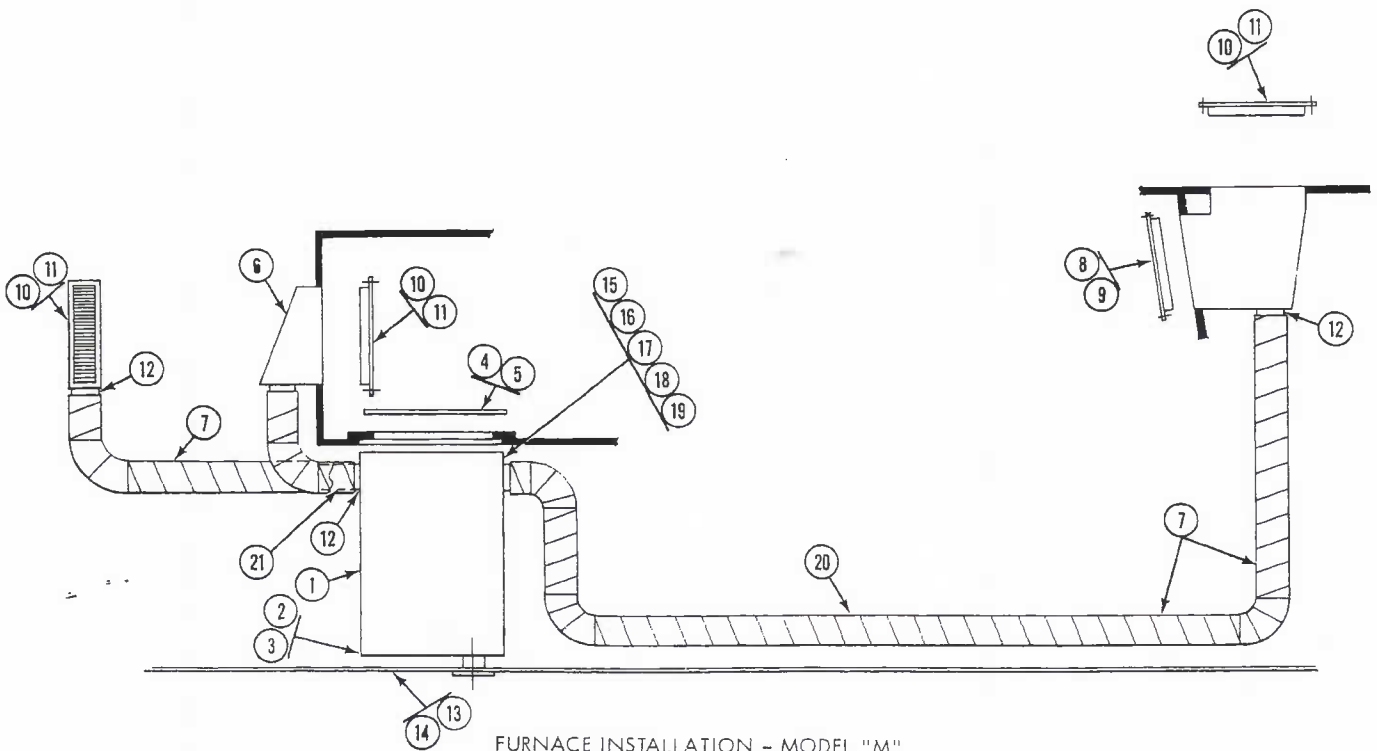
FIG NO.	ITEM NO.	RVD PART NUMBER	ITEM DESCRIPTION	QTY PER UNIT
36-1	1	5100711	DUCT BOX, Kitchen register	1
	2	5101077	DUCT, Furnace heat distribution (flexible - 4 inch) (coach 00241 and up)	18 ft
		M22185	SLEEVE, Furnace duct (4 inch, used with short lengths of 5101077 on some coaches)	1
	3	5100478	ADAPTER, Furnace (COL 8623-5101) (without lug)	2
	4	M22044	CLAMP, Flexible duct (coach 00001 to 00240)	2
		M24125	CLAMP, Flexible duct (coach 00241 and up)	2
	5	5100706	SPLITTER BOX, Furnace ducting (coach 00001 to 00240)	1
	6	5100717	DUCT, Furnace register (flexible - 3 inch) (coach 00001 to 00240)	18 ft
	7	5100713	DUCT BOX, Bath and bedroom (coach 00001 to 00240)	2
	8	5101886	DUCT BOX, Bath and bedroom (coach 00241 and up)	1
36-1	9	5100719	TAPE, Asbestos	10 ft
	10	5101802	SLEEVE, Kitchen register damper	1

REPAIR PARTS LIST

GROUP 36 Heating System
 MODEL 2900R



FURNACE INSTALLATION - MODEL "A" AND "J"



FURNACE INSTALLATION - MODEL "M"

Figure 36-1.1. Suburban Furnace Installation (COACH 00830 & UP)

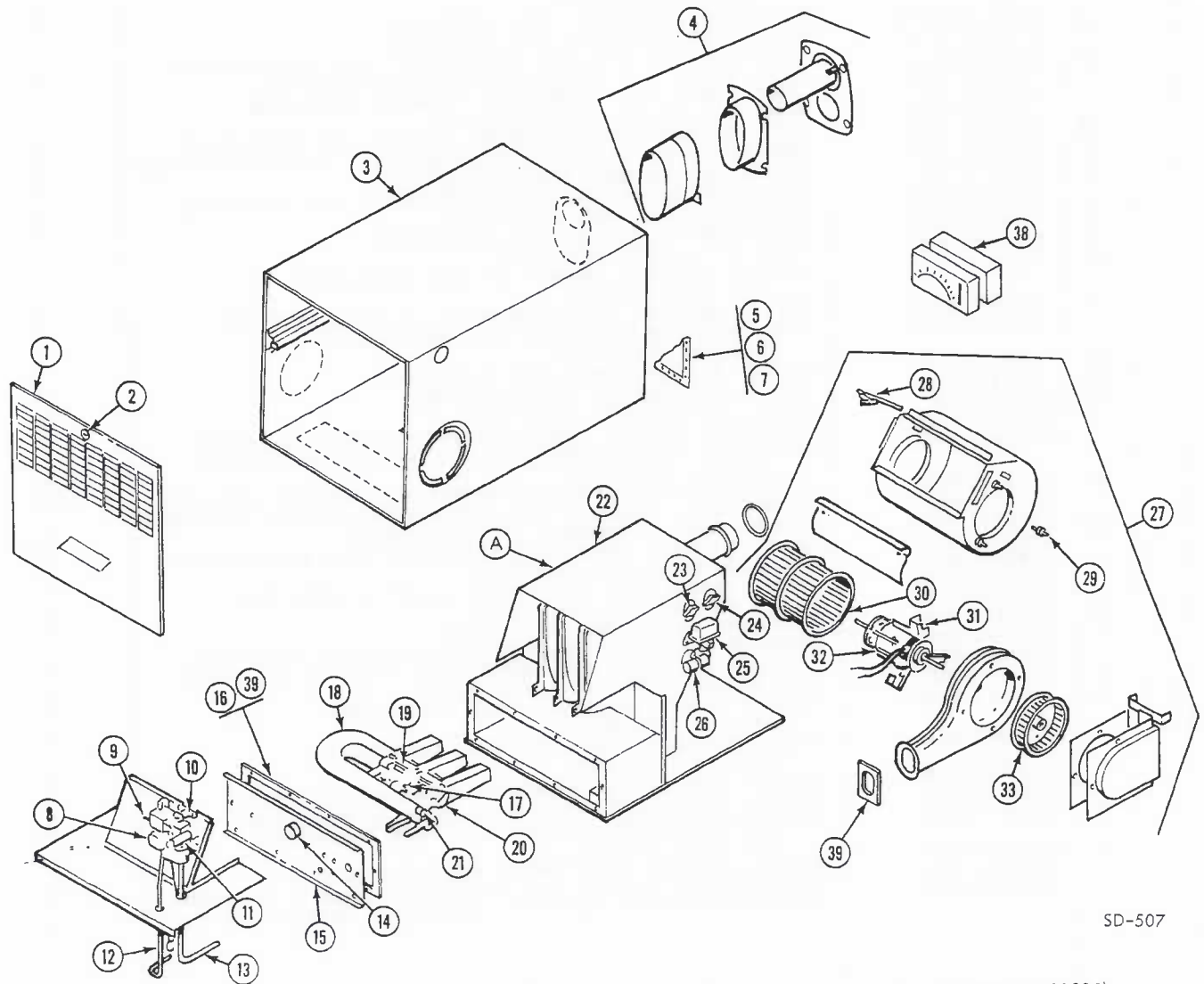
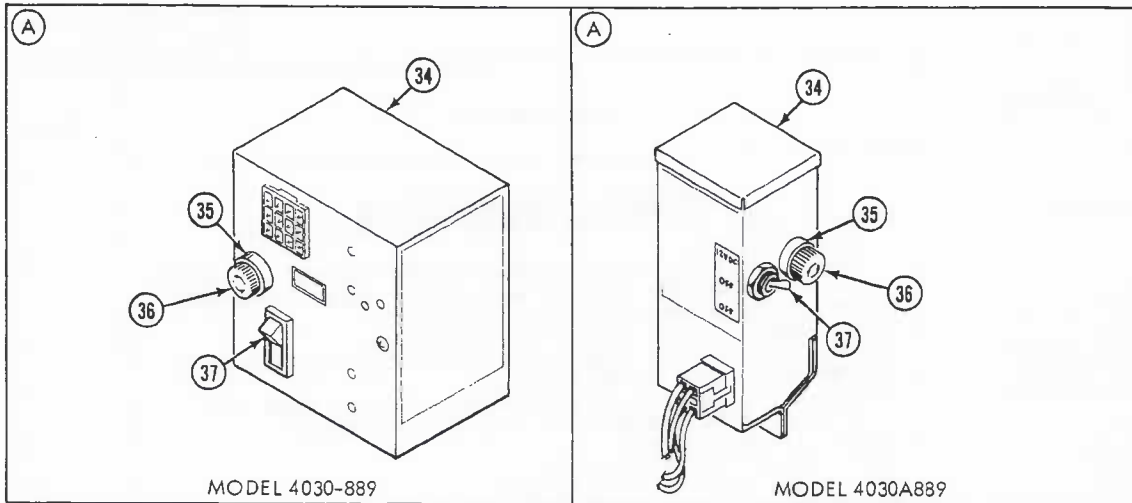
REPAIR PARTS LIST

GROUP 36 Heating System
MODEL 2900R

FIG NO.	ITEM NO.	PART NUMBER	ITEM DESCRIPTION	QTY PER UNIT	
<u>HEATING DUCTS</u>					
<u>COACH 00830 AND UP</u>					
<u>(SUBURBAN FURNACE)</u>					
36-1 .1	1	5107236	FURNACE (SMC-NT32FC)	1	
	2	5107703-01	NOTE: See Figure 36-2.1 . SUPPORT, Furnace-rear	1	
	3	5107703-02	SUPPORT, Furnace-front	1	
	4	5100718	GRILLE, Furnace air intake	1	
	5	M14041	SCREW, Intake grille (#6 x 1/2)	2	
	6	5100711	BOX, Air duct	2	
	7	5109200	DUCT, Furnace air (4" dia)	12 ft	
	8	5101493-02	REGISTER, Bath (white)	1	
	9	M14129	SCREW, Register (#6 x 1/2)	2	
	36-1 .1	10	5101493-01	REGISTER, Bedroom & lounge room (brown)	3
		11	M14024	SCREW, Register (#6 x 1/2)	6
		12	M24125	CLAMP, Air duct (4" dia worm)	6
		13	5100968	DOOR, Furnace exterior access	1
		14	M14052	SCREW, Furnace door (#10 x 3/4)	16
		15	M18005	BOLT, Furnace to support (1/4-20 x 3/4)	4
		16	M17045	WASHER, Support bolt (1/4-flat)	4
		17	M17024	WASHER, Support bolt (1/4-lock)	4
		18	M17070	NUT, Support bolt (1/4-20)	4
		19	M14014	SCREW, Furnace to support (#8 x 5/8)	4
	36-1 .1	20	5100719	TAPE, Duct	25 ft
		21	5101802	DAMPER, Duct sleeve	1

REPAIR PARTS LIST

GROUP 36 Heating System
 MODEL 2900R



SD-507

Figure 36-2. Coleman Furnace Assembly (Coach 0001 to 00829)

FMC FMC Corporation
 Motor Coach Division
 333 Brokaw Road Box 664 Santa Clara California 95052

ISSUED _____
 REVISED C4, 9/76 _____

REPAIR PARTS LIST

GROUP 36
MODEL 2900R

FIG NO.	ITEM NO.	RVD PART NUMBER	ITEM DESCRIPTION	QTY PER UNIT
		5100473-02	FURNACE AND COMPONENT PARTS	
			FURNACE ASSY, Gas (COL 4030A-889) (sup 5100473-01, COL 4030-889)	1
			NOTE: Furnace serial numbers below 87300XX are model 4030-889; 87300XX and up are model 4030A-889.	
36-2	1	M14027	SCREW, Furnace attaching (No. 8 x 3/4)	2
	2	5100473-R033	PANEL ASSY, Furnace front (COL 4030-5881)	1
	3	5100473-R041	LATCH, Furnace door (COL 4023A-3311) (sup 5100473-R021)	1
	4	5100473-R050	CASING ASSY, (COL 4030A-5851)	1
	5	5100473-R040	COLLAR ASSY, Furnace vent (includes collar, hood and sleeve) (COL 4023B-5461) (sup 5100473-R002)	1
36-2	5	5100967	PANEL, Furnace shield	1
	6	M14254	BOLT, Panel (1/2-24 x 1/2 lg)	1
	7	M25037	NUT, Panel bolt (TI C14172-102)	12
	8	5100473-R044	SOLENOID COIL, Gas valve (COL 4023A-3391) (sup 5100473-R013)	12
	9	5100473-R045	SWITCH ASSY W/PLATE, (COL 9223-5391)	1
	10	5100473-R030	ELBOW VALVE, Furnace (COL 8616-3341)	1
36-2	11	5100473-R037	VALVE, Burner, gas (COL 4023B-3211) (sup 5100473-R001)	1
	12	5100473-R018	TUBE, Pilot (COL 2701-1441) (used on 4030-889)	1
	13	5100473-R038	TUBE, Pilot (COL 4023A-1541) (used on 4030A-889)	1
	14	5100473-R046	TUBE, Gas supply (COL 4023-1081)	1
	15	5100473-R019	SIGHT GLASS W/CAP AND GASKET, Furnace (COL 8620-3121)	1
	16	5100473-R036	DOOR W/GASKET, Furnace (COL 8616A-5021) (sup 5100473-R016)	1
	17	5100473-R017	GASKET, Burner door (COL 4023-1941)	1
36-2	18	5100473-R039	PILOT BURNER, Furnace (COL 4023A-3251) (sup 4023-3251)	1
	19	5100473-R047	BURNER CASTING, (COL 4030-5121)	1
	20	5100473-R012	IGNITOR COIL, Furnace (COL 8616-1061)	1
	21	5100473-R051	PILOT SPUD, (COL 9970-0091)	1
	22	5100473-R048	ORIFICE, Furnace, marked 059 (COL 9223-1211) (sup 5100473-R009)	1
	23	5100473-R008	HEAT EXCHANGER, (Col 4030A-5751) (used on 4030-889)	1
	24	5100473-R042	HEAT EXCHANGER W/GASKETS, (COL 4030B-5751) (used on 4030A-889)	1
36-2	25	5100473-R003	SWITCH, Furnace limit (COL 0430-3091)	1
	26	5100473-R004	SWITCH, Furnace fan (COL 4030-3081)	1
	27	5100473-R011	RELAY, Furnace (COL 4023-3111)	1
	28	5100473-R028	CAPACITOR, Furnace (COL 4023-5361) (used on 4030-889)	1
	29	5100473-R050	CAPACITOR, 1000 manufactured, 50 VDC (COL 4016-5181) (used on 4030A-889)	1
	30	5100473-R029	BLOWER ASSY, Complete (COL 4030-5901) (used on 4030-889)	1
36-2	31	5100473-R043	BLOWER ASSY, Complete (COL 4030A-5901) (used on 4030A-889)	1
	32	5100473-R010	SWITCH, Sail, 2 terminal (COL 4023-3101)	1
	33	5100473-R052	MOUNT, Furnace, motor (COL 9223-2461) (sup 5100473-R027)	1
	34	5100473-R025	IMPELLER, Wide (COL 8623-2711)	1
	35	5100473-R053	MOTOR, Hanger (COL 4030A-5011) (used on 4030A-889)	1
	36	5100473-R007	MOTOR, Furnace (COL 4030-3019)	1
	37	5100473-R026	IMPELLER, Narrow (COL 4023-3411)	1
	38	5100473-R054	JUNCTION BOX ASSY, (COL 4030-5291) (used on 4030-889)	1
	39	5100473-R055	JUNCTION BOX ASSY, (COL 4030A-5291) (used on 4030A-889)	1
36-2	40	5100473-R023	FUSE HOLDER W/CAP, (COL 8610-3071)	1
	41	5100473-R006	FUSE, 9 ampere, slow-blow (COL 8630A-3151) (used on 4030-889)	1
	42	5100473-R056	FUSE, 15 ampere, fast-blow (COL 4030-3151) (used on 4030A-889)	1
	43	5100473-R024	SWITCH, On-off (COL 4023-3071) (used on 4030-889)	1
	44	5100473-R057	SWITCH, On-off (COL 8610-3041) (used on 4030A-889)	1
	45	5100473-R058	THERMOSTAT W/COVER, Furnace wall (COL 4023-4831) (sup 5100473-R035)	1
	46	5100473-R059	GASKET, Package (assortment) (COL 4023-1991)	1
	47	5100473-R015	THERMOCOUPLE, Furnace (COL 9210-3141) (used on 4030-889)	1
	48	5100473-R022	TERMINAL BOARD, Furnace (COL 4023-3841) (used on 4030889)	1

REPAIR PARTS LIST

GROUP 36 Heating System
 MODEL 2900R

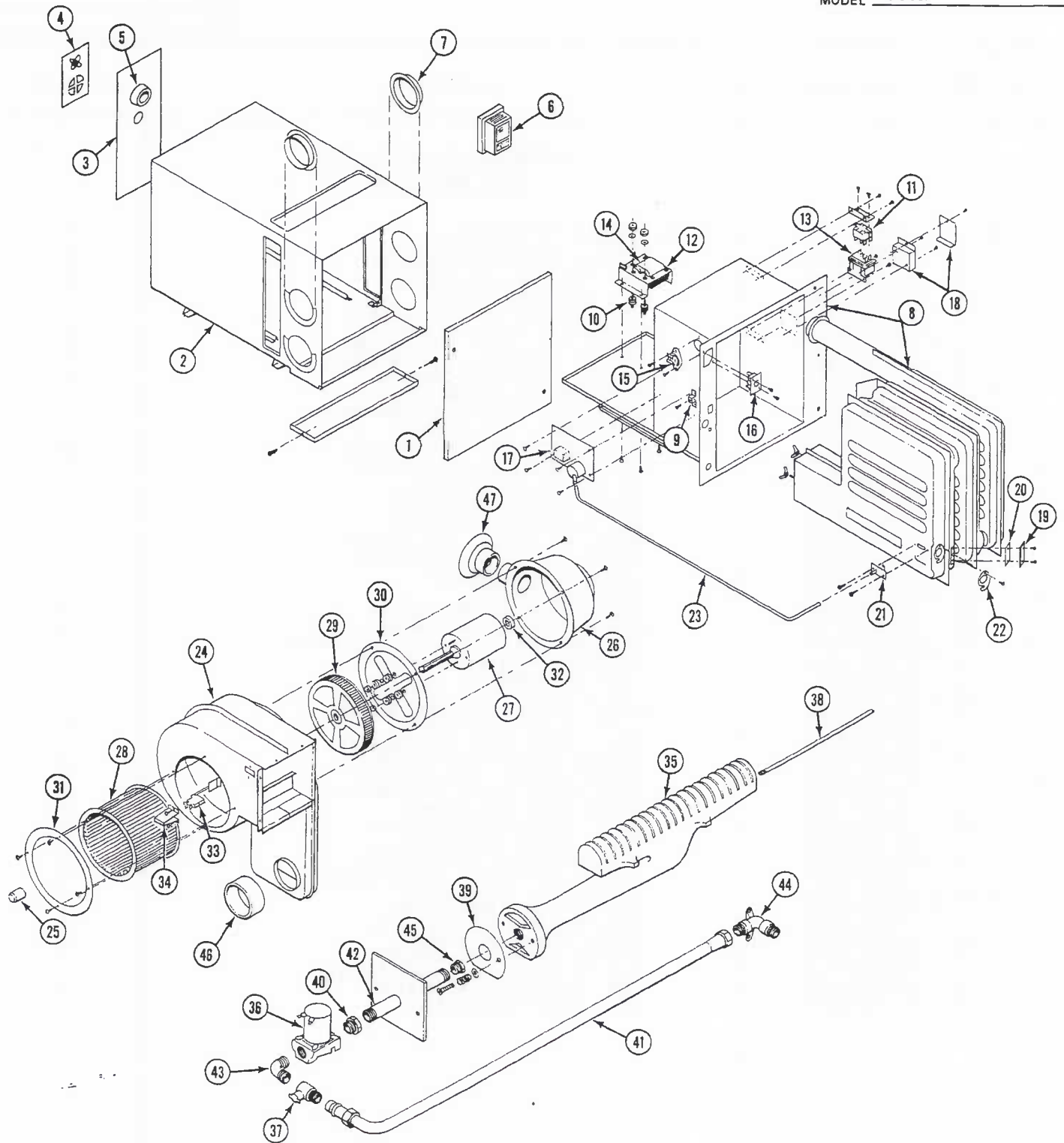


Figure 36-2.1. Suburban Furnace Assembly
 (Coach 00830 and Up)

REPAIR PARTS LIST

GROUP 36
MODEL 2900R

FIG NO.	ITEM NO.	PART NUMBER	ITEM DESCRIPTION	QTY PER UNIT
<u>FURNACE & COMPONENT PARTS</u>				
<u>COACH 00830 & UP</u>				
36-2		5107236	FURNACE ASSEMBLY (SMC-NT32FC)	1
.1	1	5107236-R003	FRONT, Cabinet (SMC-X100724)	1
	2	5107236-R004	CABINET, Outer (SMC-X100733)	1
	3	5107236-R005	BACK, Cabinet (SMC-100803)	1
	4	5107236-R006	CAP, Vent (SMC-260060)	1
	5	5107236-R007	ADAPTOR, Vent cap (SMC-061727)	1
	6	5107236-R001	THERMOSTAT, Heat (SMC-160737)	1
	7	5107236-R008	COLLAR, Duct round (SMC-050296)	1
	8	5107236-R009	CHAMBER, Combustion (SMC-X110311)	1
	9	5107236-R010	SPACER, Bridge (SMC-120732)	1
36-2	10	5107236-R011	RECTIFIER, Diode (SMC-230297)	1
.1	11	5107236-R012	RELAY, AC/DC Switching (SMC-230255)	1
	12	5107236-R013	TRANSFORMER, (SMC-230323)	1
	13	5107236-R014	RELAY, Thermostat (SMC-230275)	1
	14	5107236-R015	DIODE TRANSFORMER (SMC-X230312)	1
	15	5107236-R016	SWITCH, Fan (SMC-230348)	1
	16	5107236-R017	SWITCH, Limit (SMC-230389)	1
	17	5107236-R018	BOARD, Module (SMC-230483)	1
	18	5107236-R019	BOX, Junction (SMC-090157)	1
	19	5107236-R020	COVER, Air shutter (SMC-260061)	1
36-2	20	5107236-R021	GASKET, Air cover (SMC-070278)	1
.1	21	5107236-R022	ELECTRODE (SMC-230480)	1
	22	5107236-R023	COVER (SMC-290117)	1
	23	5107236-R024	WIRE, Electrode (SMC-230491)	1
	24	5107236-R025	BLOWER, Housing (SMC-X390099)	1
	25	5107236-R002	TUBE, Housing extension (1 1/2 long)	1
	26	5107236-R026	COVER, Air intake (SMC-X390058)	1
	27	5107236-R027	MOTOR (SMC-230339)	1
	28	5107236-R028	WHEEL, Blower large (SMC-350068)	1
	29	5107236-R029	WHEEL, Blower small (SMC-350069)	1
36-2	30	5107236-R030	PLATE, Blower (SMC-390045)	1
.1	31	5107236-R031	RING, Blower inlet (SMC-390027)	1
	32	5107236-R032	BUSHING, Blower (SMC-070289)	1
	33	5107236-R033	SWITCH & PADDLE (SMC-X230340)	1
	34	5107236-R034	COVER, Micro switch (SMC-061659)	1
	35	5107236-R035	BURNER, Main (SMC-010387)	1
	36	5107236-R036	VALVE, Solenoid (SMC-160739)	1
	37	5107236-R037	VALVE, Manual (SMC-160712)	1
	38	5107236-R038	ROD, Air shutter (SMC-140091)	1
	39	5107236-R039	SHUTTER, Air burner (SMC-010366)	1
36-2	40	5107236-R040	BUSHING, Hex (SMC-170280)	1
.1	41	5107236-R041	TUBING, Inlet (SMC-170488)	1
	42	5107236-R042	PIPE, Manifold (SMC-B170478)	1
	43	5107236-R043	ELBOW, Flare (SMC-170374)	1
	44	5107236-R044	FITTING, Elbow (SMC-170408)	1
	45	5107236-R045	ORIFICE, Main burner (SMC-180193)	1
	46	5107236-R046	TUBE, Crossover (SMC-070331)	1
	47	5107236-R047	CUP, Vacuum (SMC-290079)	1

REPAIR PARTS LIST

GROUP 36 Heating system
 MODEL 2900R

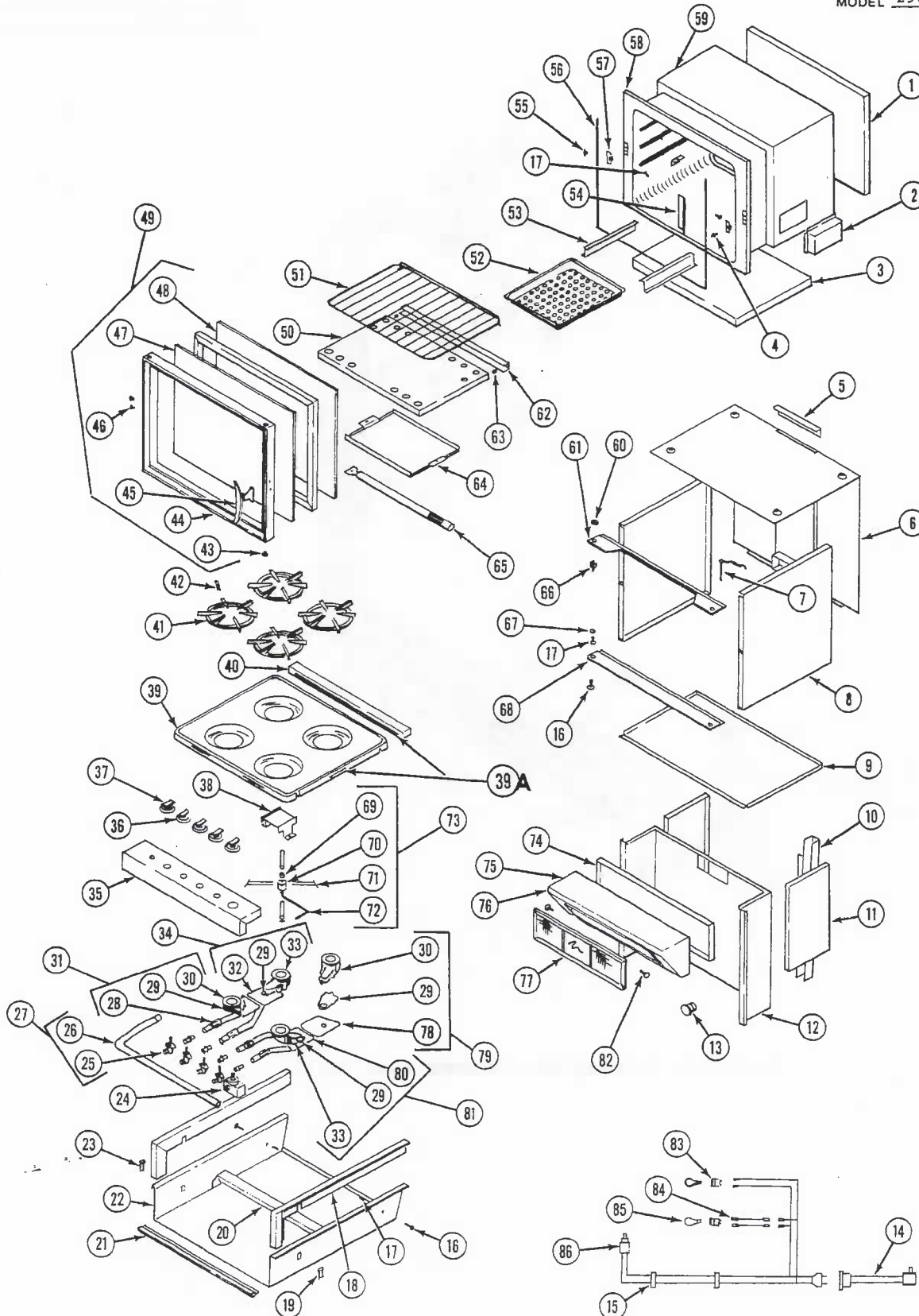


Figure 36-3. Range and Oven Assembly (Sheet 1 of 2)

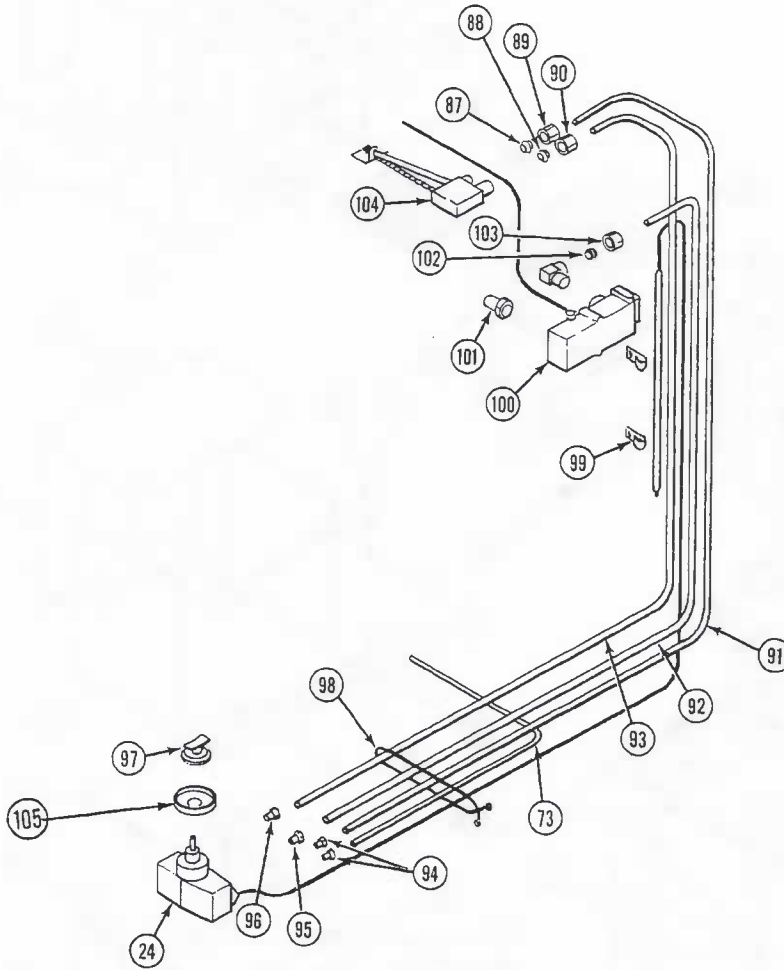
FMC FMC Corporation
 Motor Coach Division
 333 Brokaw Road Box 664 Santa Clara California 95052

ISSUED 5/73
 REVISED C4, 9/76

REPAIR PARTS LIST

GROUP 36 Heating System

MODEL 2900R



SD-218

Figure 36-3. Range and Oven Assembly (Sheet 2 of 2)

REPAIR PARTS LIST

GROUP 36
MODEL 2900R

FIG NO.	ITEM NO.	PART NUMBER	ITEM DESCRIPTION	QTY PER UNIT	
36-3		5100298-02	RANGE WITH OVEN (TLR 810-487) (supersedes 5100298-01, TLR 800-487) (coach 00094 & up)	1	
		M14027	SCREW, Range with oven attach (#8 x 3/4 lg)	4	
	1	5100298-R010	INSULATION, Oven back (TLR 1000)	1	
	2	5100298-R011	CONTROL HOUSING (TLR 0071)	1	
	3	5100298-R012	INSULATION, Oven bottom (TLR 0999)	1	
	4	5100298-R013	DOOR STRIKE (TLR 1378)	1	
	5	5100298-R014	COVER, Blower duct, top (TLR 0078)	1	
	6	5100298-R015	TOP AND BACK ASSY, Oven exterior (TLR 0062)	1	
	7	5100298-R016	PIN AND CHAIN ASSY, Locking (TLR 0092) (used on 800-487)	1	
	7	5100298-R106	PIN AND CHAIN ASSY, Locking (TLR 7272) (used on 810-487)	1	
	8	5100298-R017	SIDE, Oven exterior (TLR 0082)	2	
	9	5100298-R018	BOTTOM, Oven exterior (TLR 0079)	1	
	36-3	10	5100298-R019	GUARD, Wire (TLR 0084)	1
		11	5100298-R020	SUPPORT, Oven side (TLR 0081)	1
		12	5100298-R021	SUPPORT, Oven (TLR 0070) (used on 800-487)	1
		12	5100298-R107	SUPPORT, Oven (TLR 00070A) (used on 810-487)	1
		13	5100298-R022	BUSHING, Electrical, Heyco (TLR 1352)	1
		14	5100298-R023	SERVICE CORD (TLR 1149)	1
15		5100298-R024	CLAMP, Nylon (TLR 1344)	2	
16		5100298-R025	SCREW (No. 10-24 x 3/4 lg) (TLR 2326) (used on 800-487)	2	
16		5100298-R108	SCREW (No. 10-24 x 1/2 lg) (TLR 2302) (used on 810-487)	2	
17		5100298-R026	NUT, Tee (TLR 1343)	2	
18		5100298-R027	TRIM, Burner box, right (TLR 1140)	1	
36-3	19	5100298-R028	HOLD-DOWN, Top, main (TLR 1269)	1	
	20	5100298-R129	SUPPORT, Top burner (TLR 0072)	1	
	21	5100298-R030	TRIM, Manifold panel, lower (TLR 1144) (used on 800-487)	1	
	21	5100298-R109	TRIM, Manifold panel, lower (TLR 1144A) (used on 810-487)	1	
	22	5100298-R031	BURNER BOX (TLR 0074)	1	
	23	5100298-R032	TRIM, Burner box, left (TLR 1141)	1	
	24	5100298-R003	THERMOSTAT WITH BEZEL (TLR 1270) (used on 800-487)	1	
		5100298-R128	THERMOSTAT, Oven (TLR 6043-H0012) (used on 810-487A)	1	
	25	5100298-R002	VALVE, Top burner (TLR 1131)	4	
	26	5100298-R033	PIPE, Manifold (TLR 1130)	1	
	27	5100298-R034	MANIFOLD ASSY, 25 and 26 (TLR 0106) (used on 800-487)	1	
	27	5100298-R110	MANIFOLD ASSY, 25 and 26 (TLR 0978) (used on 810-487)	1	
	28	5100298-R035	BURNER VENTURI, Left front (TLR 0111)	4	
	29	5100298-R036	GASKET, Burner (TLR 0109)	4	
36-3	30	5100298-R037	BURNER HEAD, Left front and right rear (TLR 0108)	2	
	31	5100298-R038	BURNER ASSY, Top left front, 28, 29 & 30 (TLR 1134)	1	
	32	5100298-R039	BURNER VENTURI, Left rear (TLR 0113)	1	
	33	5100298-R040	BURNER HEAD, Right front and left rear (TLR 0107)	2	
	34	5100298-R041	BURNER ASSY, Top left rear, 29, 32 & 33 (TLR 1136)	1	
	35	5100298-R042	PANEL, Manifold (TLR 0067)	1	
	36	5100298-R009	KNOB, Rear top burner (TLR 1139)	2	
	37	5100298-R008	KNOB, Front top burner (TLR 1138)	2	
	38	5100298-R043	SHIELD, Top pilot (TLR 0066)	1	
	39	5011298-R044	TOP, Main, white (TLR 0053-1)	1	
36-3	39A	M20023	STRIP, Adhesive barked sponge (5/32 x 1/2)	6 ft	
	40	5100298-R045	EXTENSION, Main top (TLR 0075)	1	
	41	5100298-R001	GRATE, Top burner (TLR 0003)	4	
	42	5100298-R006	CLIP, Grate hold-down (TLR 2002) (used on 800-487)	4	
	42	5100298-R111	CLIP, Grate hold-down (TLR 2002A) (used on 810-487)	4	
	43	5100298-R046	BUMPER, Nylon (TLR 1224)	1	
	44	5100298-R047	FRAME, Oven door (TLR 1355)	NSS	
			NOTE: See Item 49.		
	45	5100298-R048	HANDLE, Door, plastic (TLR 1366A)	1	
	46	5100298-R049	BUTTON, Plug (TLR 1223)	1	
36-3	47	5100298-R050	GLASS, Outside (TLR 0091) (used on 800-487)	1	
	47	5100298-R112	GLASS, Outside (TLR 7279C) (used on 810-487)	1	
	48	5100298-R051	GLASS, Inside (TLR 0090) (used on 800-487)	1	
	48	5100298-R113	GLASS, Inside (TLR 7248C) (used on 810-487)	1	
	49	5100298-R052	DOOR ASSY, Oven, 43 through 48 (TLR 0100) (used on 800-487)	1	
	49	5100298-R114	DOOR ASSY, Oven, 43 through 58 (TLR 7218) (used on 800-487)	1	
	50	5100298-R053	BOTTOM, Oven (TLR 0069) (used on 800-487)	1	
	50	5100298-R115	BOTTOM, Oven (TLR 7274) (used on 810-487)	1	

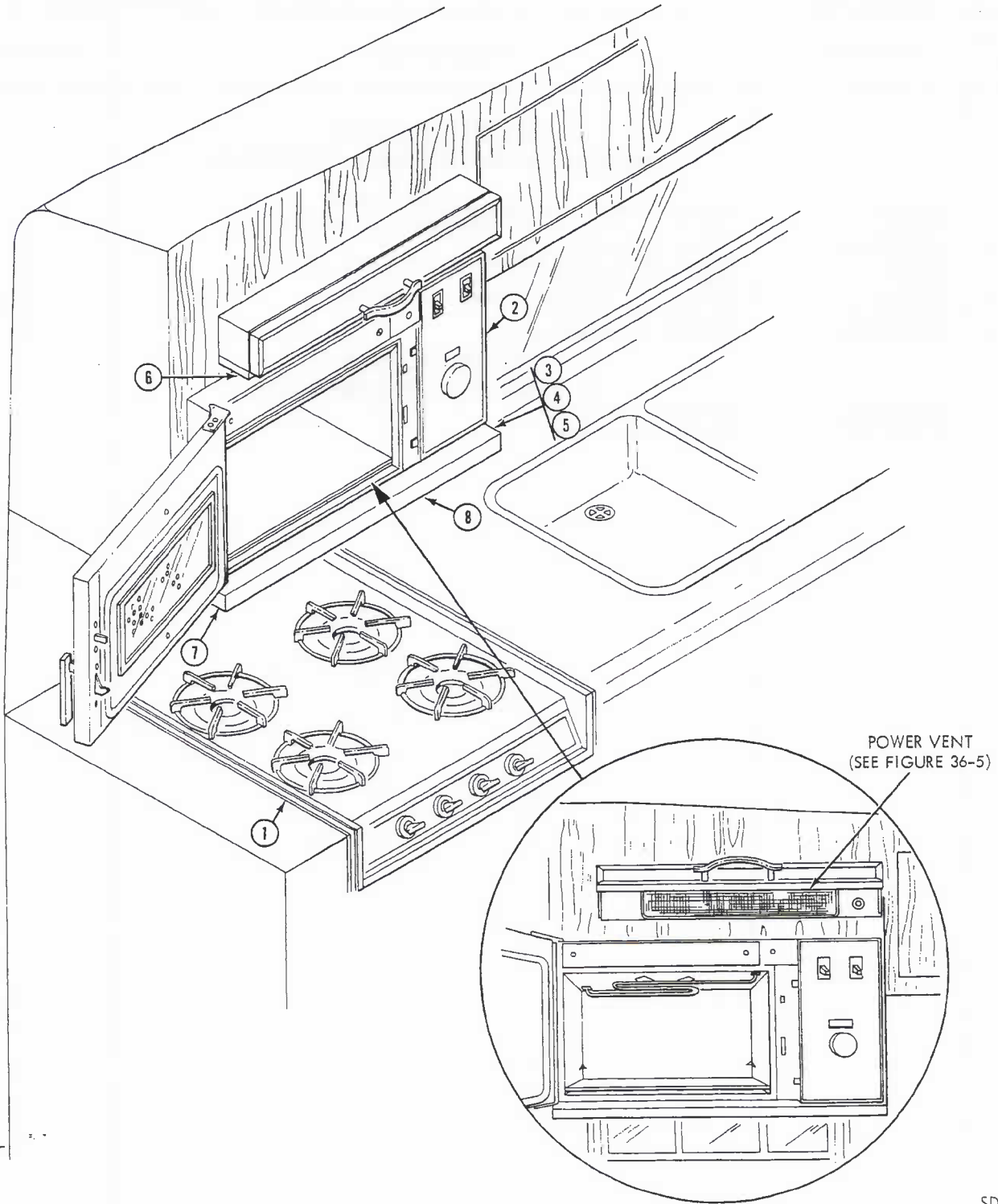
REPAIR PARTS LIST

GROUP 36
MODEL 2900R

FIG NO.	ITEM NO.	RVD PART NUMBER	ITEM DESCRIPTION	QTY PER UNIT
36-3	51	5100298-R054	RACK, Oven (TLR 1145) (used on 800-487)	1
	51	5100298-R116	RACK, Oven (TLR 1145A) (used on 810-487)	1
	52	5100298-R055	PAN AND INSERT, Broiler (TLR 4041) (used on 800-487)	1
	52	5100298-R117	PAN AND INSERT, Broiler (TLR 7177) (used on 810-487)	1
	53	5100298-R056	SUPPORT, Broiler pan (TLR 0077) (used on 800-487)	2
	54	5100298-R057	GUARD, Capillary (TLR 0083) (used on 800-487)	1
	54	5100298-R118	GUARD, Capillary (TLR 7283) (used on 810-487)	1
36-3	55	5100298-R058	CLIP, Oven door seal (TLR 0114) (used on 800-487)	1
	56	5100298-R059	SEAL, Oven door (TLR 1318) (used on 800-487)	1
	56	5100298-R119	SEAL, Oven door (TLR 7210) (used on 810-487)	1
	57	5100298-R060	CATCH, Door (TLR 1349)	1
	58	5100298-R061	BODY ASSY, Oven (TLR 0054) (used on 800-487)	1
	58	5100298-R120	BODY ASSY, Oven (TLR 7216) (used on 810-487)	1
	59	5100298-R062	INSULATION, Oven top and sides (TLR 0998)	1
36-3	60	5100298-R063	NUT, Kep (TLR 2318)	1
	61	5100298-R064	TRIM, Oven top (TLR 1142) (used on 800-487)	1
	61	5100298-R121	TRIM, Oven top (TLR 1142A) (used on 810-487)	1
	62	5100298-R065	SUPPORT, Oven bottom (TLR 0076) (used on 800-487)	1
	63	5100298-R066	SPRING, Oven bottom (TLR 1350) (used on 800-487)	1
	63	5100298-R122	SPRING, Oven bottom (TLR 1350A) (used on 810-487)	1
	64	5100298-R067	SPREADER, Flame (TLR 0068) (used on 800-487)	1
	65	5100298-R068	BURNER, Oven (TLR 4072) (used on 800-487)	1
	65	5100298-R123	BURNER, Oven (TLR 7217) (used on 810-487)	1
36-3	66	5100298-R069	PIVOT PIN, Top (TLR 0089)	1
	67	5100298-R070	WASHER, Nylon (TLR 1346)	2
	68	5100298-R071	TRIM, Oven bottom (TLR 1143) (used on 800-487)	1
	68	5100298-R124	TRIM, Oven bottom (TLR 1143B) (used on 810-487)	1
	69	5100298-R072	CONE, (TLR 0972)	1
	70	5100298-R073	LIGHTER CUP, (TLR 0971)	1
	71	5100298-R074	FLASH TUBE, (TLR 0973)	4
36-3	72	5100298-R075	PILOT TUBE, (TLR 0974)	1
	73	5100298-R076	PILOT ASSY, Top, 69 through 72 (TLR 1132)	1
	74	5100298-R077	COVER, Blower duct, bottom (TLR 0073) (used on 800-487)	1
	75	5100298-R078	SUPPORT, Light and filter (TLR 0087)	1
	76	5100298-R079	COVER, Blower (TLR 0085)	1
	77	5100298-R080	FILTER, Blower (TLR 1353)	1
36-3	78	5100298-R081	BURNER VENTURI, Right rear (TLR 0112)	1
	79	5100298-R082	BURNER ASSY, Top, right rear, 29, 30, and 78 (TLR 1135)	1
	80	5100298-R083	BURNER VENTURI, Right front (TLR 0110)	1
	81	5100298-R084	BURNER ASSY, Top, right front, 29, 33, and 80 (TLR 1133)	1
	82	5100298-R085	RETAINER, Filter (TLR 0102)	2
	83	5100298-R086	SOCKET, Lamp (TLR 1148)	2
36-3	84	5100298-R087	WIRE, Electrical (TLR 1354) (used on 800-487)	2 ft
	84	5100298-R126	WIRE, Electrical (TLR 0088) (used on 810-487)	2 ft
	85	5100298-R088	LAMP, Oven and blower compartment (TLR 1147)	2
	86	5100298-R089	HARNESS WITH SWITCH, Electrical (TLR 1150)	1
	87	5100298-R090	FERRULE, 1/8 (TLR 1315)	1
	88	5100298-R091	FERRULE, 3/16 (TLR 1305)	1
	89	5100298-R092	NUT, 1/8 (TLR) (TLR 1314)	1
36-3	90	5100298-R093	NUT, 3/16 (TLR 1306)	1
	91	5100298-R094	TUBING, To constant pilot, aluminum, 1/8 (TLR 1006)	1
	92	5100298-R095	TUBING, To oven burner, aluminum, 1/4 (TLR 0997)	1
	93	5100298-R096	TUBING, To heater pilot, aluminum, 3/16 (TLR 1008)	1
	94	5100298-R097	FITTING, Loxit, 1/8 (TLR 1330)	2
	95	5100298-R098	FITTING, Loxit, 1/4 (TLR 1303)	1
36-3	96	5100298-R099	FITTING, Loxit, 3/16 (TLR 1331)	1
	97	5100298-R007	KNOB, Oven thermostat (TLR 1137)	1
	98	5100298-R100	CLAMP, Tubing (TLR 0101)	1
	99	5100298-R101	CLIP, Thermobulb (TLR 0099)	2
	100	5100298-R004	VALVE, Mercury, range (TLR 1322)	1
	101	5100298-R102	HOOD, Oven orifice (TLR 0115)	1
	102	5100298-R103	FERRULE, 1/4 (TLR 1086)	1
	103	5100298-R104	NUT, 1/4 (TLR 1085)	1
	104	5100298-R005	PILOT, Oven (TLR 1323)	1
	105	5100298-R105	BEZEL, Thermostat (TLR 1266)	1

REPAIR PARTS LIST

GROUP 36 Heating System
 MODEL 2900R



SD-508

Figure 36-4. Microwave Oven (Optional Equipment for Coaches 00250 and Up)

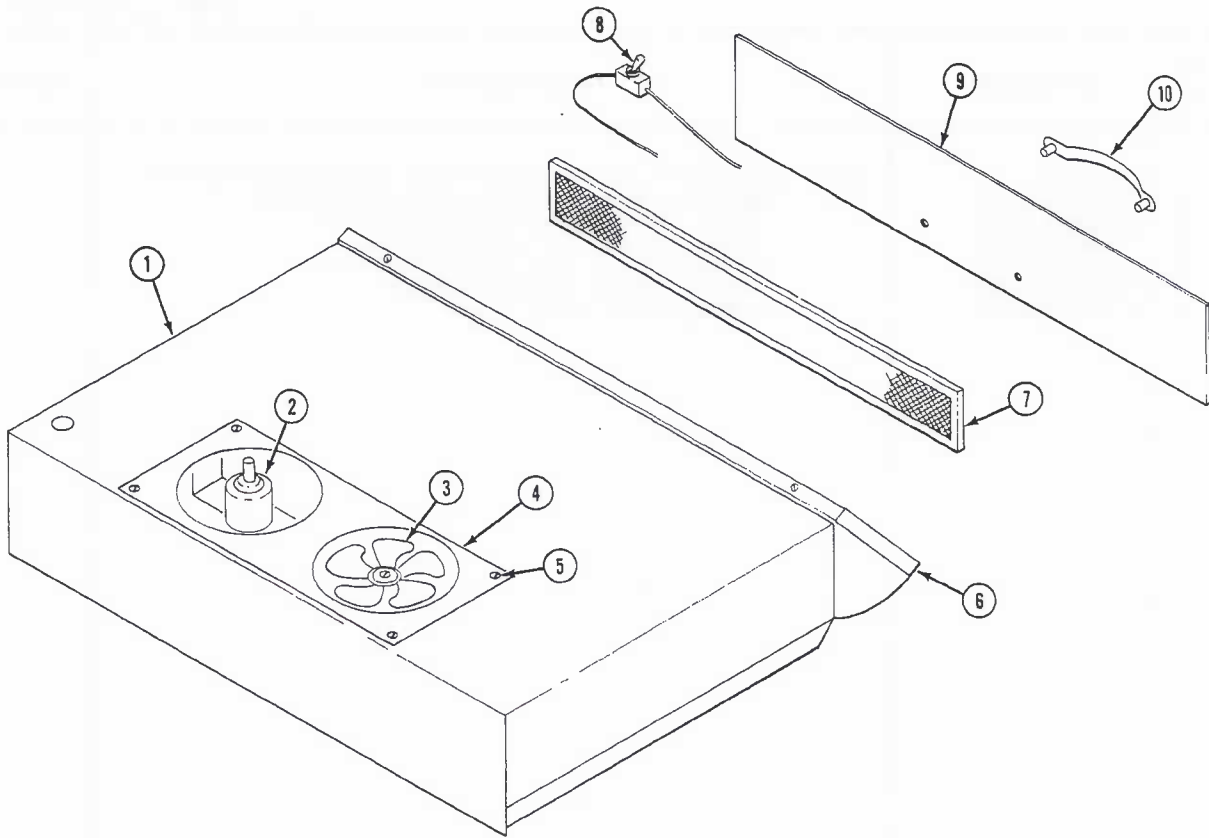
REPAIR PARTS LIST

GROUP 36
MODEL 2900R

FIG NO.	ITEM NO.	PART NUMBER	ITEM DESCRIPTION	QTY PER UNIT
			<u>MICROWAVE OVEN/RANGE</u> <u>(OPTIONAL EQUIPMENT FOR COACH 00250 AND UP)</u>	
36-4	1	5101797	RANGE, Drop-in cook top (MCF-BT-853-4T)	1
	2	5108710	OVEN ASSY, Microwave (THM MCM-17 w/browner)	1
	3	5101796-10	SHELF, Microwave oven	1
	4	M14027	SCREW, Oven shelf attaching (#8 x 3/4 lg)	4
	5	M17057	WASHER, Oven shelf, chrome	4
	6	5100825	EDGING, "T" molding, power vent shelf	2 ft
	7	5101796-04	EDGING, Oven shelf	3 ft
	8	5101796-03	SHIELD, Microwave oven	1
			<u>HOT PLATE & HOLDER</u> <u>"M" MODELS ONLY (COACH 00924 & UP)</u>	
		5108653-01	HOT PLATE (HB-812)	1
		5108653-02	HOLDER, Hot plate	1

REPAIR PARTS LIST

GROUP 36 Heating System
 MODEL 2900R



SD-222

Figure 36-5. Power Vent Assembly

FIG NO.	ITEM NO.	RVD PART NUMBER	ITEM DESCRIPTION	QTY PER UNIT	
			<u>POWER VENT ASSY</u> (Coach 00001 to 00921)		
36-5	1	5100299	VENT ASSY, Oven power (MAM 7300-1)	1	
	2	5100299-R001	HOUSING, Power vent (MAM 7309)	1	
	3	5100299-R002	MOTOR, Power vent 12V (MAM 7307)	2	
	4	5100299-R003	BLADE, Power vent motor (MAM 7306)	2	
	5	5100299-R004	HOUSING, Power vent motor (MAM 7308)	1	
	6	5100299-R005	SCREW, Power vent motor housing (MAM 7310)	4	
	7	5100299-R006	TRIM, Power vent door (MAM 7305)	1	
	8	5100299-R007	FILTER, Power vent (MAM 7304)	1	
	9	5100299-R008	SWITCH, Power vent door (MAM 7303)	1	
	10	5100299-R009	FACE, Power vent door (MAM 7302)	1	
			5100299-R010	HANDLE, Power vent door (MAM 7301)	1

REPAIR PARTS LIST

GROUP 36
MODEL 2900R

FIG NO.	ITEM NO.	PART NUMBER	ITEM DESCRIPTION	QTY PER UNIT	
36-5		5108579	VENT, Oven power (coach 00922 & up) (CI-WH1521RV-1-B/G)	1	
	2	5108579-R001	MOTOR, Power vent (CI-1 speed-H1521RVS)	1	
	3	5108579-R002	BLADE, Motor (CI-Aluminum 5 Blade)	1	
	6	5108579-R003	FRAME, Chrome (CI-Chrome 1500J)	1	
	7	5108579-R004	FILTER, Power vent (CI-1521FV 1/2")	1	
	8	5108579-R005	SWITCH, Motor (CI-Automatic)	1	
	9	5108579-R006	GLASS, Front panel black	1	