

Group 32 Furniture

GENERAL: This group contains information on all interior furniture within the coach.

SPECIFICS: As applicable

...Bedroom Vanity Mirrors

...Beds

...Bed Supports

...Bolsters

...Cushions

...Seat Backs

...Seat Mounts

...Seats

...Seat To Bed Conversion Equipment

...Table Hardware

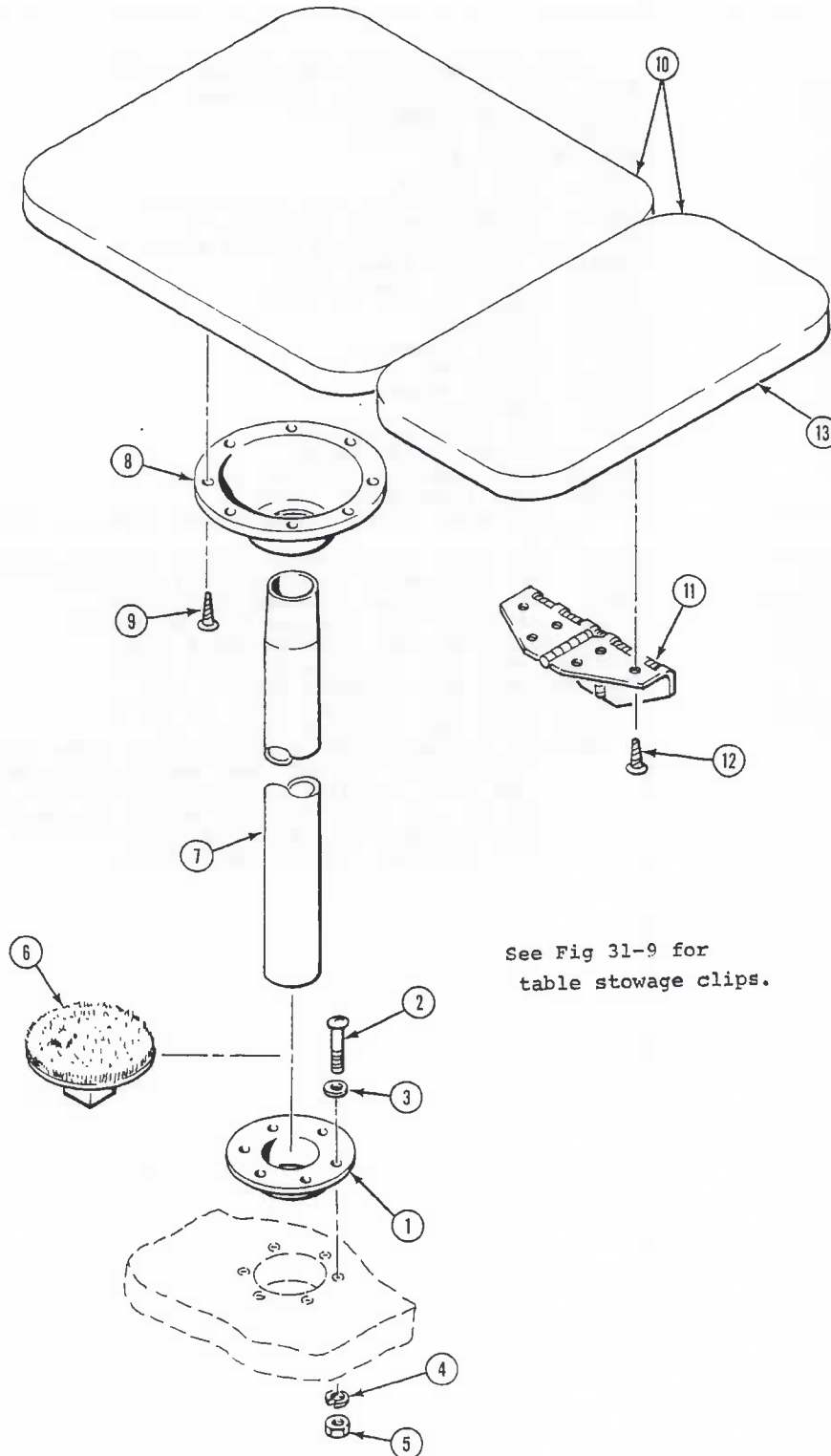
...Tables



FMC Corporation
Motor Coach Division
333 Brokaw Road Box 664 Santa Clara California 95052

REPAIR PARTS LIST

GROUP 32 Furniture
 MODEL 2900R



See Fig 31-9 for
 table stowage clips.

Figure 32-5. Dinette Table (All Floor Plan "J" & "M" Coaches)

JD-327

REPAIR PARTS LIST

GROUP 32 Furniture
MODEL 2900R

FIG NO.	ITEM NO.	PART NUMBER	ITEM DESCRIPTION	QTY PER UNIT	
<u>CUSHIONS (COACHES 00001 TO 00873)</u>					
<u>The following cushions are used on Floor Plan A Coaches:</u>					
Color Scheme - GREEN (GR), RUST (RU), BLUE (BL) with JAMAICA-SKEET fabric pattern.					
32-1	1	5101768-01GR	CUSHION, Dinette seat (forward) (Sup 5100113)	1	
	1	5101768-01RU	CUSHION, Dinette seat (forward) (Sup 5100113)	1	
	1	5101768-01BL	CUSHION, Dinette seat (forward) (Sup 5100113)	1	
32-1	1	5101768-R001GR	COVER, Dinette seat cushion (forward) (Sup 5100113-R001)	1	
	1	5101768-R001RU	COVER, Dinette seat cushion (forward) (Sup 5100113-R001)	1	
	1	5101768-R001BL	COVER, Dinette seat cushion (forward) (Sup 5100113-R001)	1	
	2	5101768-02GR	CUSHION, Dinette seat (rear) (Sup 5100110)	1	
	2	5101768-02RU	CUSHION, Dinette seat (rear) (Sup 5100110)	1	
	2	5101768-02BL	CUSHION, Dinette seat (rear) (Sup 5100110)	1	
32-1	2	5101768-R002GR	COVER, Dinette seat cushion (rear) (Sup 5100110-R001)	1	
	2	5101768-R002RU	COVER, Dinette seat cushion (rear) (Sup 5100110-R001)	1	
	2	5101768-R002BL	COVER, Dinette seat cushion (rear) (Sup 5100110-R001)	1	
	3	5101768-03GR	CUSHION, Dinette seat back (rear) (Sup 5101117-04)	1	
	3	5101768-03RU	CUSHION, Dinette seat back (rear) (Sup 5101117-04)	1	
	3	5101768-03BL	CUSHION, Dinette seat back (rear) (Sup 5101117-04)	1	
32-1	3	5101768-R003GR	COVER, Dinette seat back cushion (rear) (Sup 5101117-R001)	1	
	3	5101768-R003RU	COVER, Dinette seat back cushion (rear) (Sup 5101117-R001)	1	
	3	5101768-R003BL	COVER, Dinette seat back cushion (rear) (Sup 5101117-R001)	1	
32-1	4	5101768-04GR	CUSHION, Dinette seat back filler (rear) (Sup 5101117-05)	1	
	4	5101768-04RU	CUSHION, Dinette seat back filler (rear) (Sup 5101117-05)	1	
	4	5101768-04BL	CUSHION, Dinette seat back filler (rear) (Sup 5101117-05)	1	
	4	5101768-R004GR	COVER, Dinette seat back filler cushion (rear) (Sup 5101117-R002)	1	
32-1	4	5101768-R004RU	COVER, Dinette seat back filler cushion (rear) (Sup 5101117-R002)	1	
	4	5101768-R004BL	COVER, Dinette seat back filler cushion (rear) (Sup 5101117-R002)	1	
	5	5101768-05GR	CUSHION, Bedroom seat (right side) (Sup 5100109-05)	1	
	5	5101768-05RU	CUSHION, Bedroom seat (right side) (Sup 5100109-05)	1	
32-1	5	5101768-05BL	CUSHION, Bedroom seat (right side) (Sup 5100109-05)	1	
	5	5101768-R005GR	COVER, Bedroom seat cushion (right side) (Sup 5100109-R001)	1	
	5	5101768-R005RU	COVER, Bedroom seat cushion (right side) (Sup 5100109-R001)	1	
	5	5101768-R005BL	COVER, Bedroom seat cushion (right side) (Sup 5100109-R001)	1	
32-1	6	5101768-07GR	CUSHION, Bedroom seat (left side) (Sup 5100111)	1	
	6	5101768-07RU	CUSHION, Bedroom seat (left side) (Sup 5100111)	1	
	6	5101768-R007GR	COVER, Bedroom seat cushion (left side) (Sup 5100111-R001)	1	
	6	5101768-R007RU	COVER, Bedroom seat cushion (left side) (Sup 5100111-R001)	1	
	6	5101768-R007BL	COVER, Bedroom seat cushion (left side) (Sup 5100111-R001)	1	
	7	5101768-08GR	CUSHION, Bedroom back (left side) (Sup 5100114)	2	
	7	5101768-08RU	CUSHION, Bedroom back (left side) (Sup 5100114)	2	
	7	5101768-08BL	CUSHION, Bedroom back (left side) (Sup 5100114)	2	
	7	5101768-R008GR	COVER, Bedroom back cushion (left side) (Sup 5100114-R001)	2	
	7	5101768-R008RU	COVER, Bedroom back cushion (left side) (Sup 5100114-R001)	2	
32-1	7	5101768-R008BL	COVER, Bedroom back cushion (left side) (Sup 5100114-R001)	2	
	<u>The following two items used on Coaches 00001 to 00100</u>				
	<u>Floor Plan A with plywood back rest only</u>				
	8	5100109-06GR	CUSHION, Bedroom back (right side) (80" x 5")	1	
	8	5100109-06RU	CUSHION, Bedroom back (right side) (80" x 5")	1	
	8	5100109-06BL	CUSHION, Bedroom back (right side) (80" x 5")	1	
	8	5100109-R002GR	COVER, Bedroom back cushion (right side) (80" x 5")	1	
	8	5100109-R002RU	COVER, Bedroom back cushion (right side) (80" x 5")	1	
8	5100109-R002BL	COVER, Bedroom back cushion (right side) (80" x 5")	1		
NOTE: See Figure 32-1.1 for coaches 00874 and up.					

REPAIR PARTS LIST

GROUP 32 Furniture
 MODEL 2900R

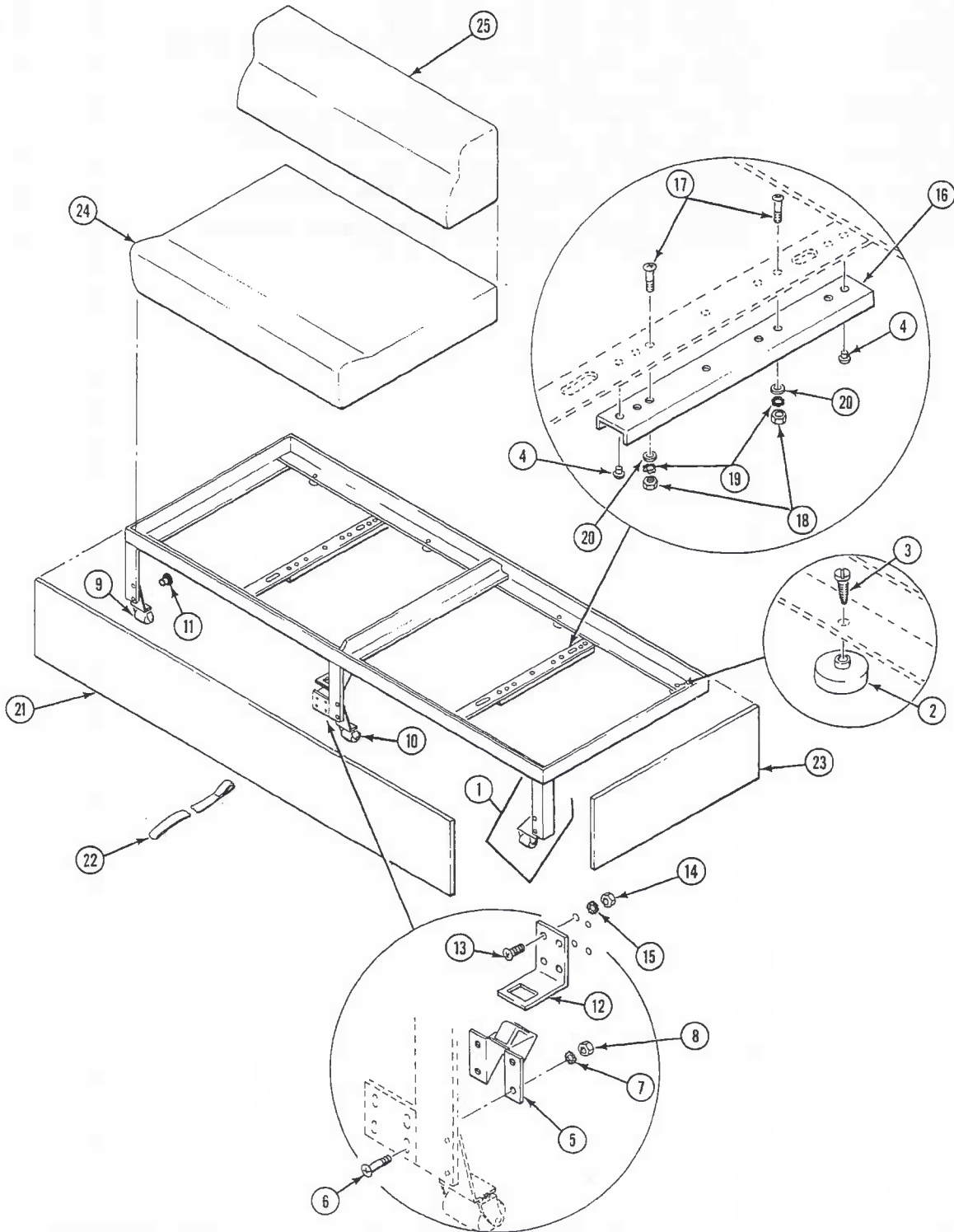


Figure 32-4. Dinette/Sofa Assembly (All Floor Plan J Coaches)

SD-326

REPAIR PARTS LIST

GROUP 32 Furniture
MODEL 2900R

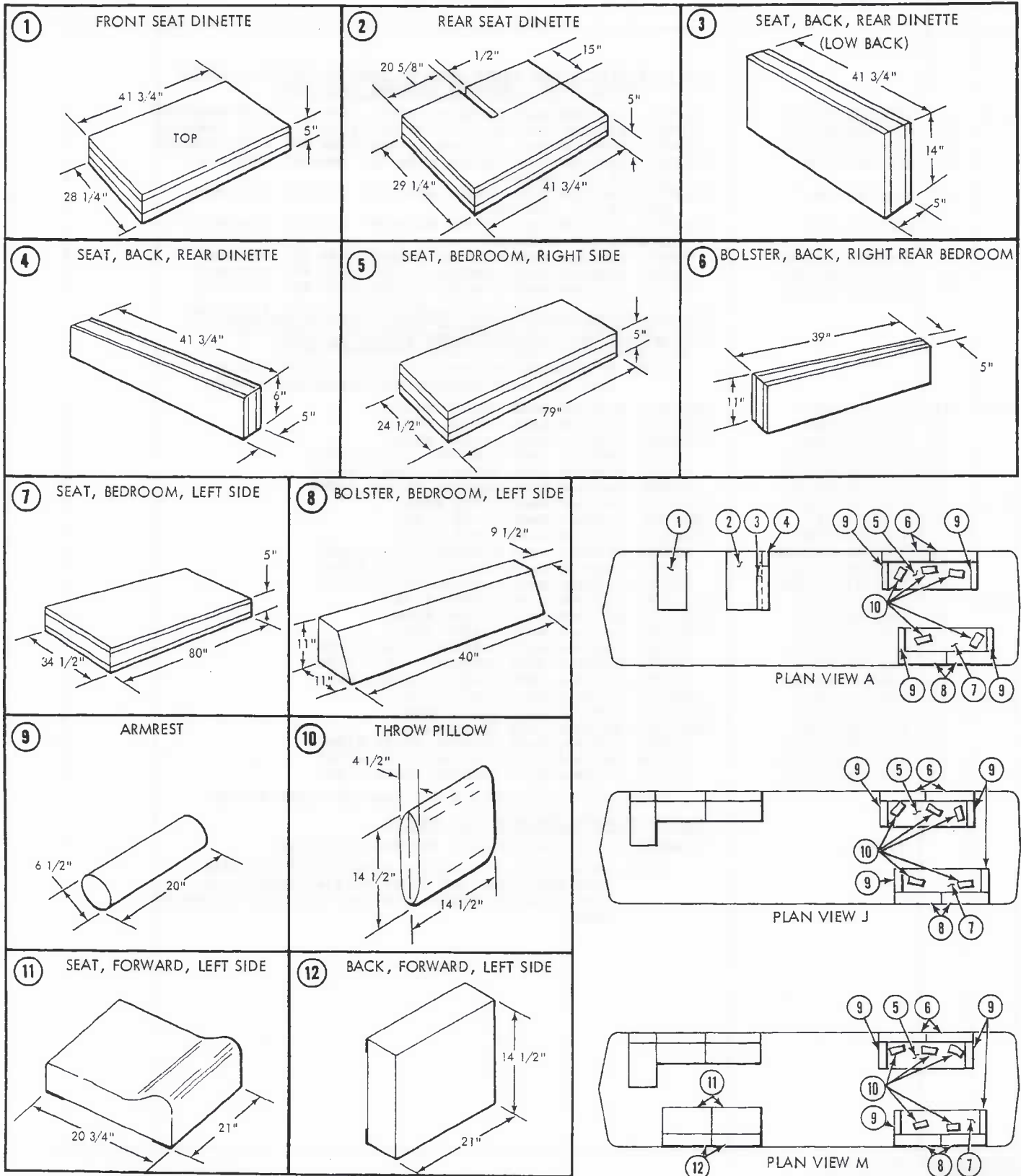


Figure 32-1.1. Cushions and Bolsters (Coach 00874 and Up)

FMC FMC Corporation
Motor Coach Division
333 Brokaw Road Box 664 Santa Clara California 95052

ISSUED _____
REVISED C4, 9/76

REPAIR PARTS LIST

GROUP 32
MODEL 2900R

FIG NO.	ITEM NO.	PART NUMBER	ITEM DESCRIPTION	QTY PER UNIT
<u>DINETTE (ALL FLOOR PLAN "A" COACHES)</u>				
32-3	1	5101176-26	DOOR, Dinette storage	2
	2	5100291	HINGE, Dinette door	4
	3	M14024	SCREW, Door hinge (no. 6 x 1/2)	32
	4	M20068	MOLDING, Dinette doors, T (9/16)	12 ft
	5	M12003	PANEL, Dinette seat access, plywood	5 sq ft
32-3	6	5100650-01BL	END PANEL, Rear (blue) (coaches 00001 to 00873)	1
		5100650-01RU	END PANEL, Rear (rust) (coaches 00001 to 00873)	1
		5100650-01GR	END PANEL, Rear (green) (coaches 00001 to 00873)	1
		5108490-0157	END PANEL, Rear (asparagus) (coaches 00874 and up)	1
		5108490-0156	END PANEL, Rear (pongee) (coach 00874 and up)	1
		5108490-0155	END PANEL, Rear (rust) (coach 00874 and up)	1
		M14039	SCREW, End panel (#10 x 1 1/4)	6
32-3	8	5100650-R011BL	BUTTON, End panel, (blue) (coaches 00001 to 00873)	8
		5100650-R011RU	BUTTON, End panel, (rust) (coaches 00001 to 00873)	8
		5100650-R011GR	BUTTON, End panel, (green) (coaches 00001 to 00873)	8
		5108490-R001	BUTTON, End panel (asparagus) (coaches 00874 and up)	8
		5108490-R002	BUTTON, End panel (pongee) (coaches 00874 and up)	8
32-3	9	5108490-R003	BUTTON, End panel (rust) (coaches 00874 and up)	8
		5100650-02BL	END PANEL, Front (blue) (coaches 00001 to 00873)	1
		5100650-02RU	END PANEL, Front (rust) (coaches 00001 to 00873)	1
		5100650-02GR	END PANEL, Front (green) (coaches 00001 to 00873)	1
		5108490-0257	END PANEL, Front (asparagus) (coach 00874 and up)	1
		5108490-0256	END PANEL, Front (pongee) (coach 00874 and up)	1
		5108490-0255	END PANEL, Front (rust) (coach 00874 and up)	1
		M14039	SCREW, End panel (#10 x 1 1/4)	6
	10	5100650-R011BL	BUTTON, End panel, (blue) (coaches 00001 to 00873)	8
	11	5100650-R011RU	BUTTON, End panel, (rust) (coaches 00001 to 00873)	8
		5100650-R011GR	BUTTON, End panel, (green) (coaches 00001 to 00873)	8
	5108490-R001	BUTTON, End panel, (asparagus) (coaches 00874 and up)	8	
	5108490-R002	BUTTON, End panel, (pongee) (coaches 00874 and up)	8	
	5108490-R003	BUTTON, End panel, (rust) (coaches 00874 and up)	8	
NOTE: At approximately coach 00874 new color and fabric designs for the dinette were implemented. The old dinette (5100650) is to be replaced for service by the new (5108490) and as an assembly are interchangeable. If vinyl and fabric are required refer to drawings 5100650, and 5108490.				
	12	5100721-06	ANGLE, Dinette	2
	13	M14046	SCREW, Angle (No. 10 x 1/2)	8
	14	5100721-06	ANGLE, Dinette	2
	15	M14047	SCREW, Angle (No. 10 x 5/8)	8
	16	5100721-06	ANGLE, Dinette	4
	17	M14046	SCREW, Angle (No. 10 x 1/2)	8
	18	M14047	SCREW, Angle (No. 10 x 5/8)	8
	19	5101176-59	BRACKET, Back cushion support bar	2
	20	M14059	SCREW, Bracket attaching (No. 10 x 3/4)	4
	21	M14009	SCREW, Bracket attaching (No. 10 x 1-1/4)	4
32-3	22	5100974-BL	TOP CAP, Rear seat, (blue) (coaches 00001 to 00873)	1
		5100974-RU	TOP CAP, Rear seat, (rust) (coaches 00001 to 00873)	1
		5100974-GR	TOP CAP, Rear seat, (green) (coaches 00001 to 00873)	1
		5108498-0157	TOP CAP, Rear seat, (asparagus) (coach 00874 and up)	1
		5108498-0156	TOP CAP, Rear seat, (pongee) (coach 00874 and up)	1
		5108498-0155	TOP CAP, Rear seat, (rust) (coach 00874 and up)	1
	NOTE: At approximately coach 00874 new color and fabric designs for the dinette were implemented. If vinyl and fabric are required refer to drawings 5100974, and 5108498.			
	23	5100397-02	GIMP, Plastic (opt w/5101080-02)	8 ft
	24	5101081-01	TABLE TOP, Dinette (green) (coaches 00001 to 00873)	1
		5101081-02	TABLE TOP, Dinette (rust) (coaches 00001 to 00873)	1
		5101081-03	TABLE TOP, Dinette (blue) (coaches 00001 to 00873)	1
	24	5101081-R001	TABLE TOP, Dinette (antique leather) (coach 00874 & up)	1
		5101081-R002	TABLE TOP, Dinette (white leather) (coach 00874 & up)	1
		5101081-R003	TABLE TOP, Dinette (saddle tan leather) (coach 00874 & up)	1



FMC Corporation
Motor Coach Division
333 Brokaw Road Box 664 Santa Clara California 95052

ISSUED C1, 9/73
REVISED C4, 9/76

REPAIR PARTS LIST

GROUP 32
MODEL 2900R

FIG NO.	ITEM NO.	PART NUMBER	ITEM DESCRIPTION	QTY PER UNIT
	6	5108278-R651	COVER, Back cushion	1
		5108278-0650	CUSHION, Bedroom back-right side	2
		5106175-01	FABRIC, Back cushion (54" width, green yellow diamond)	1 yd
32-1.1	7	5108278-R650	COVER, Back cushion	1
		5108278-0752	CUSHION, Bedroom seat-left side	1
		5106177-01	FABRIC, Seat cushion (54" width, reddish orange velvet solid)	5 yds
32-1.1	7	5108278-R752	COVER, Seat cushion	1
		5108278-0751	CUSHION, Bedroom seat-left side	1
		5106176-01	FABRIC, Seat cushion (54" width, orange navy blue indian pattern)	5 yds
	7	5108278-R751	COVER, Seat cushion	1
		5108278-0750	CUSHION, Bedroom seat-left side	1
		5106175-01	FABRIC, Seat cushion (54" width, green yellow diamond)	5 yds
		5108278-R750	COVER, Seat cushion	1
	8	5108278-0852	CUSHION, Bedroom back-left side	2
		5106177-01	FABRIC, Back cushion (54" width, reddish orange velvet solid)	2 yds
	8	5108278-R852	COVER, Back cushion	1
		5108278-0851	CUSHION, Bedroom back-left side	2
		5106176-01	FABRIC, Back cushion (54" width, orange navy blue indian pattern)	2 yds
	8	5108278-R851	COVER, Back cushion	1
		5108278-0850	CUSHION, Bedroom back-left side	2
		5106175-01	FABRIC, Back cushion (54" width, green/yellow diamond)	2 yds
	9	5108278-R850	COVER, Back cushion	1
		5108278-0952	ARMREST, Bedroom cushion	4
		5106177-01	FABRIC, Armrest (54" width, reddish orange velvet solid)	1/2 yd
	9	5108278-0951	ARMREST, Bedroom cushion	4
		5106176-01	FABRIC, Armrest (54" width, orange navy blue indian pattern)	1/2 yd
	9	5108278-0950	ARMREST, Bedroom cushion	4
		5106175-01	FABRIC, Armrest (54" width, green/yellow diamond)	1/2 yd
32-1.1	10	5108278-1052	PILLOW, Bedroom throw	5
		5106172-01	FABRIC, Pillow (54" width, rust green/yellow print)	1 yd
32-1.1	10	5108278-1051	PILLOW, Bedroom throw	5
		5106167-01	FABRIC Pillow (54" width, solid orange ribbed)	1 yd
	10	5108278-1050	PILLOW, Bedroom throw	5
		5108263-01	FABRIC, Pillow (54" width, solid light orange ribbed)	1 yd
<p><u>THE FOLLOWING CUSHIONS ARE USED ON FLOOR PLANS "J" & "M"</u></p> <p>NOTE: See Group 3 for front passenger seat; figure for front sofa assembly.</p>				
	5	5108278-0552	CUSHION, Bedroom seat-right side	1
		5106177-01	FABRIC, Seat cushion (54" width, reddish orange velvet solid)	4 yds
	5	5108278-R552	COVER, Seat cushion	1
		5108278-0551	CUSHION, Bedroom seat-right side	1
		5106176-01	FABRIC, Seat cushion (54" width, orange navy blue indian pattern)	4 yds
	5	5108278-R551	COVER, Seat cushion	1
		5108278-0550	CUSHION, Bedroom seat-right side	1
		5106175-01	FABRIC, Seat cushion (54" width, green/yellow diamond)	4 yds
	5	5108278-R550	COVER, Seat cushion	1
		5108278-0560	CUSHION, Bedroom seat-right side	1
		5106174-01	FABRIC, Seat cushion (54" width, brown/maroon plaid)	4 yds
32-1.1	5	5108278-R560	COVER, Seat cushion	1
		5108278-0559	CUSHION, Bedroom seat-right side	1
		5106173-01	FABRIC, Seat cushion (54" width, blue swirl pattern)	4 yds
		5108278-R559	COVER, Seat cushion	1
32-1.1	6	5108278-0652	CUSHION, Bedroom back-right side	2
		5106177-01	FABRIC, Seat back cushion (54" width, reddish orange/velvet solid)	1 yd

REPAIR PARTS LIST

GROUP 32
MODEL 2900R

FIG NO.	ITEM NO.	PART NUMBER	ITEM DESCRIPTION	QTY PER UNIT	
<u>VANITY CABINET - REAR BEDROOM</u>					
<u>COACH 00646 & UP</u>					
32-2	2	1	5107119	CABINET, Vanity	1
		2	M23001	HINGE, Cabinet door	2
		3	5106948-01	PULL, Cabinet door (brown)	1
			5106948-02	PULL, Cabinet door (white)	1
			5106948-03	PULL, Cabinet door (black)	1
			M19083	ADHESIVE, Door pull	1 oz
		4	M23007	CATCH, Door pull	1
	5	M20112	MIRROR, Vanity	1	
	6	5108451-01	COVER, Light bar end	4	
	7		BAR, Vanity light	1	
32-2	2	8	5103653	MOLDING, Vanity inside door	4 ft
NOTE: See Group 39 for Wiring, Switches					

REPAIR PARTS LIST

GROUP 32
MODEL 2900R

FIG NO.	ITEM NO.	PART NUMBER	ITEM DESCRIPTION	QTY PER UNIT
			<u>"M" MODEL ONLY</u>	
	11	5108278-1160	CUSHION, Front seat-left side	2
		5106174-01	FABRIC, Seat cushion (54" width, brown-maroon plaid)	1 yd
	11	5108278-1159	CUSHION, Front seat-left side	2
		5106173-01	FABRIC, Cushion (54" width, blue swirl pattern)	1 yd
	11	5108278-1169	CUSHION, Front seat-left side	2
		5106171-01	FABRIC, Seat cushion (54" width, light yellow green stripes)	1 yd
	11	5108278-1170	CUSHION, Front seat-left side	2
		5106137-01	FABRIC, Seat cushion (54" width, light dark orange checks)	1 yd
	11	5108278-1171	CUSHION, Front seat-left side	2
		5106172-01	FABRIC, Seat cushion (54" width, rust green/yellow print)	1 yd
	12	5108278-1260	CUSHION, Front seat back-left side	2
		5106174-01	FABRIC, Seat back (54" width, brown maroon plaid)	1 yd
	12	5108278-1259	CUSHION, Front seat back-left side	2
		5106173-01	FABRIC, Seat back (54" width, blue swirl pattern)	1 yd
	12	5108278-1269	CUSHION, Front seat back-left side	2
		5106171-01	FABRIC, Seat back (54" width, light yellow/green stripes)	1 yd
32-1.1	12	5108278-1270	CUSHION, Front seat back-left side	2
		5106137-01	FABRIC, Seat back (54" width, light dark orange checks)	1 yd
	12	5108278-1271	CUSHION, Front seat back-left side	2
		5106172-01	FABRIC, Seat back (54" width, rust green/yellow print)	1 yd

REPAIR PARTS LIST

GROUP 32
MODEL 2900R

FIG NO.	ITEM NO.	PART NUMBER	ITEM DESCRIPTION	QTY PER UNIT
<u>REAR BEDROOM - UPPER BUNKS</u> <u>COACH 00646 & UP</u>				
32-2.1	1	5100872-20	DECAL, Maximum load capacity	2
	2	5107034	FRAME, Canvas bunk-inner	2
	3	5107035	FRAME, Canvas bunk-outer	2
	4	5107037	LOCKPIN, Outer to inner frame	4
32-2.1	5	M22263	PIN, Lockpin knob	4
	6	M22272	KNOB, Lockpin	4
	7	5107036-01	SUPPORT, Bunk lower	2
	8	5107036-02	FACIA, Bunk	2
	9	5101810	BUMPER, Bunk facia rubber	4
32-2.1	10	M18182	BOLT & STRIKER ASSY, Bunk lock	4
	11	5107036-03	SUPPORT, Bunk forward	4
	12	5107036-04	ANGLE, Forward support	4
	13	M14052	SCREW, Support angle (#10 x 3/4)	16
	14	5100673-12	HINGE, Lower support (31" long)	8
32-2.1	15	M14046	SCREW, Support hinge (#10 x 1/2)	128
	16	M25045	RIVET, Hinge to angle (#6-4)	24
		M25090	RIVET, Hinge to angle (#6-12)	24
	17	M25076	RIVET, Angle to wall (#6-6)	26
	18	M14017	SCREW, Angle to hinge (#10 x 1/2)	8
	19	M14342	SCREW, Angle to hinge (#6-32 x 7/8)	8
32-2.1	20	M17079	NUT, Angle to hinge (#6-32)	8
	21	5106904	BUNK, Canvas	2
	22	M25225	PIN, Bunk frame clevis	4
	23	M17004	WASHER, Clevis pin	12
	24	5107674	TUBE, Bunk retention	6
32-2.1	25	5107713	STRAP, Bunk suspension	6
	26	M17146	NUT, Strap to ceiling Molly Jack	6
	27	M18186	EYEBOLT, Strap to ceiling	6
	28	M17024	LOCKWASHER, Strap to ceiling	6
	29	M17045	WASHER, Strap to ceiling (flat)	6
	30	M17178	WASHER, Strap to ceiling (chrome)	6
32-2.1	31	5107038	RACK, Magazine (right side only)	1

REPAIR PARTS LIST

GROUP 32 Furniture
MODEL 2900R

FIG NO.	ITEM NO.	PART NUMBER	ITEM DESCRIPTION	QTY PER UNIT
			<u>REAR BEDROOM (ALL FLOOR PLAN A AND J COACHES)</u> (See Group 31 for bedroom cabinetry)	
32-2	1	5101295-R001	TOP, Rear bedroom vanity table	1
	2	5101649-02	BRACKET, Support rod	2
	3	M14017	SCREW, Bracket (No. 10 x 1/2)	8
	4	5101649-05	ROD, Vanity table (18 5/8")	1
		5101649-06	ROD, Vanity table (13 7/8")	1
	5	5101649-03	CLIP, Support rod	2
	6	M14017	SCREW, Clip (No. 10 x 1/2)	8
	7	5100673-16	HINGE, Vanity table (1-1/2 x 22-1/2)	1
	8	M14026	SCREW, Hinge, flat hd (No. 4 x 1/2)	24
	9	5101295-R003	FRAME AND MIRROR ASSY, Rear bedroom vanity	1
	10	5101295-R002	FRAME, Rear bedroom vanity mirror	1
		NPN	DRAWER, Rear bedroom vanity (coach 00600 to 00645)	2
		5101790-05	SLIDE, Vanity drawer (coach 00600 to 00645)	2
		5106254	BUMPER, Folding vanity table ("E" Models only)	2
		M14075	SCREW, Bumper ("E" Models only)	2
	11	5100673-16	HINGE, Mirror frame (1-1/2 x 22-1/2)	1
	12	M14026	SCREW, Hinge, flat hd (No. 4 x 1/2)	24
32-2	13	5101428	MOULDING, Bedroom waterfall (opt w/5101259)	13 ft
	14	5101304	MIRROR, Bedroom, glass	1
	15	5100827-R001	SUPPORT, Flap, rear bedroom, fwd and aft	2
	16	5100673-14	HINGE, Flap support (1-1/2 x 10)	2
	17	M14026	SCREW, Hinge, flat hd (no. 4 x 1/2)	24
	18	5100827-R002	FLAP, Bed (right side of coach)	1
	19	5100673-11	HINGE, Bed flap (forward) (3 x 17)	1
	20	M14054	SCREW, Hinge, flat hd (no. 6 x 3/4)	18
	21	5100673-12	HINGE, Bed flap (center) (3 x 31)	1
	22	M14054	SCREW, Hinge, flat hd (No. 6 x 3/4)	34
	23	5100673-10	HINGE, Bed flap (rear) (3 x 9-1/2)	1
	24	M14054	SCREW, Hinge, flat hd (No. 6 x 3/4)	12
32-2	25	5100827-R003	PANEL, Bunk foldout	2
	26	5100670	PULL, Bunk panel, brass	2
	27	M14059	SCREW, Pull, flat hd (No. 4 x 1/2)	8
	28	5100673-13	HINGE, Bunk panel (1-1/2 x 3-1/2) (coach 00001 to 00200)	4
	28	5100673-16	HINGE, Bunk panel (1-1/2 x 22-1/2) (coach 00001 to 00200)	1
	28	5100673-15	HINGE, Bunk panel (1-1/2 x 13) (coach 00001 to 00200)	1
	29	M14026	SCREW, Hinge, flat hd (No. 4 x 1/2) (coach 00001 to 00200)	64
		5101080	GIMP, Rear cushion structure (left side)	12 ft
		M20068	TRIM, Plywood edge	10 ft
		5101176	GIMP, Rear cushion structure trim (right side)	14 ft
		5100826-01	TRIM, Plywood edge	21 ft
			<u>The following ten parts used on Coaches 00001 to 00100 only</u> <u>Coaches 00101 and up use larger cushions. See Figure 32-1.</u>	
32-2	30	M12003	FLAP, Back (plywood 1/2)	2 sq ft
	31	5100673-14	HINGE, Back flap (1-1/2 x 10)	3
	32	M14026	SCREW, Hinge, flat hd (No. 4 x 1/2)	30
	33	M12003	PANEL, Back rest (plywood 1/2)	6 sq ft
	34	5100673-14	HINGE, Back rest panel	3
	35	M14026	SCREW, Hinge, flat hd (No. 4 x 1/2)	30
	36	M13017	STOP, Flap (ponderosa pine strip 3/4)	7 ft
	37	M14039	SCREW, Flap stop (No. 10 x 1-1/4)	6
	38	M13017	CLEAT, Hinge, back rest panel (ponderosa pine strip 3/4)	7 ft
	39	M14040	SCREW, Hinge cleat (No. 10 x 1-1/2)	6

REPAIR PARTS LIST

GROUP 32 Furniture
MODEL 2900R

FIG NO.	ITEM NO.	PART NUMBER	ITEM DESCRIPTION	QTY PER UNIT
			<u>REAR BEDROOM (ALL FLOOR PLAN A AND J COACHES)</u> (See Group 31 for bedroom cabinetry)	
32-2	1	5101295-R001	TOP, Rear bedroom vanity table	1
	2	5101649-02	BRACKET, Support rod	2
	3	M14017	SCREW, Bracket (No. 10 x 1/2)	8
	4	5101649-05	ROD, Vanity table (18 5/8")	1
		5101649-06	ROD, Vanity table (13 7/8")	1
	5	5101649-03	CLIP, Support rod	2
	6	M14017	SCREW, Clip (No. 10 x 1/2)	8
	7	5100673-16	HINGE, Vanity table (1-1/2 x 22-1/2)	1
	8	M14026	SCREW, Hinge, flat hd (No. 4 x 1/2)	24
	9	5101295-R003	FRAME AND MIRROR ASSY, Rear bedroom vanity	1
	10	5101295-R002	FRAME, Rear bedroom vanity mirror	1
		NPN	DRAWER, Rear bedroom vanity (coach 00600 to 00645)	2
		5101790-05	SLIDE, Vanity drawer (coach 00600 to 00645)	2
		5106254	BUMPER, Folding vanity table ("E" Models only)	2
		M14075	SCREW, Bumper ("E" Models only)	2
	11	5100673-16	HINGE, Mirror frame (1-1/2 x 22-1/2)	1
	12	M14026	SCREW, Hinge, flat hd (No. 4 x 1/2)	24
32-2	13	5101428	MOULDING, Bedroom waterfall (opt w/5101259)	13 ft
	14	5101304	MIRROR, Bedroom, glass	1
	15	5100827-R001	SUPPORT, Flap, rear bedroom, fwd and aft	2
	16	5100673-14	HINGE, Flap support (1-1/2 x 10)	2
	17	M14026	SCREW, Hinge, flat hd (no. 4 x 1/2)	24
	18	5100827-R002	FLAP, Bed (right side of coach)	1
	19	5100673-11	HINGE, Bed flap (forward) (3 x 17)	1
	20	M14054	SCREW, Hinge, flat hd (no. 6 x 3/4)	18
	21	5100673-12	HINGE, Bed flap (center) (3 x 31)	1
	22	M14054	SCREW, Hinge, flat hd (No. 6 x 3/4)	34
	23	5100673-10	HINGE, Bed flap (rear) (3 x 9-1/2)	1
	24	M14054	SCREW, Hinge, flat hd (No. 6 x 3/4)	12
32-2	25	5100827-R003	PANEL, Bunk foldout	2
	26	5100670	PULL, Bunk panel, brass	2
	27	M14059	SCREW, Pull, flat hd (No. 4 x 1/2)	8
	28	5100673-13	HINGE, Bunk panel (1-1/2 x 3-1/2) (coach 00001 to 00200)	4
	28	5100673-16	HINGE, Bunk panel (1-1/2 x 22-1/2) (coach 00001 to 00200)	1
	28	5100673-15	HINGE, Bunk panel (1-1/2 x 13) (coach 00001 to 00200)	1
	29	M14026	SCREW, Hinge, flat hd (No. 4 x 1/2) (coach 00001 to 00200)	64
		5101080	GIMP, Rear cushion structure (left side)	12 ft
		M20068	TRIM, Plywood edge	10 ft
		5101176	GIMP, Rear cushion structure trim (right side)	14 ft
		5100826-01	TRIM, Plywood edge	21 ft
			<u>The following ten parts used on Coaches 00001 to 00100 only</u> <u>Coaches 00101 and up use larger cushions. See Figure 32-1.</u>	
32-2	30	M12003	FLAP, Back (plywood 1/2)	2 sq ft
	31	5100673-14	HINGE, Back flap (1-1/2 x 10)	3
	32	M14026	SCREW, Hinge, flat hd (No. 4 x 1/2)	30
	33	M12003	PANEL, Back rest (plywood 1/2)	6 sq ft
	34	5100673-14	HINGE, Back rest panel	3
	35	M14026	SCREW, Hinge, flat hd (No. 4 x 1/2)	30
	36	M13017	STOP, Flap (ponderosa pine strip 3/4)	7 ft
	37	M14039	SCREW, Flap stop (No. 10 x 1-1/4)	6
	38	M13017	CLEAT, Hinge, back rest panel (ponderosa pine strip 3/4)	7 ft
	39	M14040	SCREW, Hinge cleat (No. 10 x 1-1/2)	6



FMC Corporation
Motor Coach Division
333 Brokaw Road Box 664 Santa Clara California 95052

ISSUED C1, 9/73
REVISED C4, 9/76

REPAIR PARTS LIST

GROUP 32
MODEL 2900R

FIG NO.	ITEM NO.	PART NUMBER	ITEM DESCRIPTION	QTY PER UNIT
<u>REAR BEDROOM - UPPER BUNKS</u> <u>COACH 00646 & UP</u>				
32-2.1	1	5100872-20	DECAL, Maximum load capacity	2
	2	5107034	FRAME, Canvas bunk-inner	2
32-2.1	3	5107035	FRAME, Canvas bunk-outer	2
	4	5107037	LOCKPIN, Outer to inner frame	4
32-2.1	5	M22263	PIN, Lockpin knob	4
	6	M22272	KNOB, Lockpin	4
32-2.1	7	5107036-01	SUPPORT, Bunk lower	2
	8	5107036-02	FACIA, Bunk	2
32-2.1	9	5101810	BUMPER, Bunk facia rubber	4
	10	M18182	BOLT & STRIKER ASSY, Bunk lock	4
32-2.1	11	5107036-03	SUPPORT, Bunk forward	4
	12	5107036-04	ANGLE, Forward support	16
32-2.1	13	M14052	SCREW, Support angle (#10 x 3/4)	8
	14	5100673-12	HINGE, Lower support (31" long)	128
32-2.1	15	M14046	SCREW, Support hinge (#10 x 1/2)	24
	16	M25045	RIVET, Hinge to angle (#6-4)	24
32-2.1	17	M25090	RIVET, Hinge to angle (#6-12)	26
	18	M25076	RIVET, Angle to wall (#6-6)	8
32-2.1	19	M14017	SCREW, Angle to hinge (#10 x 1/2)	8
	20	M14342	SCREW, Angle to hinge (#6-32 x 7/8)	8
32-2.1	21	M17079	NUT, Angle to hinge (#6-32)	2
	22	5106904	BUNK, Canvas	4
32-2.1	23	M25225	PIN, Bunk frame clevis	12
	24	M17004	WASHER, Clevis pin	6
32-2.1	25	5107674	TUBE, Bunk retention	6
	26	5107713	STRAP, Bunk suspension	6
32-2.1	27	M17146	NUT, Strap to ceiling Molly Jack	6
	28	M18186	EYEBOLT, Strap to ceiling	6
32-2.1	29	M17024	LOCKWASHER, Strap to ceiling	6
	30	M17045	WASHER, Strap to ceiling (flat)	6
32-2.1	31	M17178	WASHER, Strap to ceiling (chrome)	6
		5107038	RACK, Magazine (right side only)	1

REPAIR PARTS LIST

GROUP 32
MODEL 2900R

FIG NO.	ITEM NO.	PART NUMBER	ITEM DESCRIPTION	QTY PER UNIT
			"M" MODEL ONLY	
	11	5108278-1160	CUSHION, Front seat-left side	2
		5106174-01	FABRIC, Seat cushion (54" width, brown-maroon plaid)	1 yd
	11	5108278-1159	CUSHION, Front seat-left side	2
		5106173-01	FABRIC, Cushion (54" width, blue swirl pattern)	1 yd
	11	5108278-1169	CUSHION, Front seat-left side	2
		5106171-01	FABRIC, Seat cushion (54" width, light yellow green stripes)	1 yd
	11	5108278-1170	CUSHION, Front seat-left side	2
		5106137-01	FABRIC, Seat cushion (54" width, light dark orange checks)	1 yd
	11	5108278-1171	CUSHION, Front seat-left side	2
		5106172-01	FABRIC, Seat cushion (54" width, rust green/yellow print)	1 yd
	12	5108278-1260	CUSHION, Front seat back-left side	2
		5106174-01	FABRIC, Seat back (54" width, brown maroon plaid)	1 yd
	12	5108278-1259	CUSHION, Front seat back-left side	2
		5106173-01	FABRIC, Seat back (54" width, blue swirl pattern)	1 yd
	12	5108278-1269	CUSHION, Front seat back-left side	2
		5106171-01	FABRIC, Seat back (54" width, light yellow/green stripes)	1 yd
32-1.1	12	5108278-1270	CUSHION, Front seat back-left side	2
		5106137-01	FABRIC, Seat back (54" width, light dark orange checks)	1 yd
	12	5108278-1271	CUSHION, Front seat back-left side	2
		5106172-01	FABRIC, Seat back (54" width, rust green/yellow print)	1 yd

REPAIR PARTS LIST

GROUP 32
MODEL 2900R

FIG NO.	ITEM NO.	PART NUMBER	ITEM DESCRIPTION	QTY PER UNIT	
<u>VANITY CABINET - REAR BEDROOM</u>					
<u>COACH 00646 & UP</u>					
32-2	2	1	5107119	CABINET, Vanity	1
		2	M23001	HINGE, Cabinet door	2
		3	5106948-01	PULL, Cabinet door (brown)	1
			5106948-02	PULL, Cabinet door (white)	1
			5106948-03	PULL, Cabinet door (black)	1
			M19083	ADHESIVE, Door pull	1 oz
		4	M23007	CATCH, Door pull	1
	5	M20112	MIRROR, Vanity	1	
	6	5108451-01	COVER, Light bar end	4	
	7		BAR, Vanity light	1	
32-2	2	8	5103653	MOLDING, Vanity inside door	4 ft
NOTE: See Group 39 for Wiring, Switches					

REPAIR PARTS LIST

GROUP 32
MODEL 2900R

FIG NO.	ITEM NO.	PART NUMBER	ITEM DESCRIPTION	QTY PER UNIT
	6	5108278-R651	COVER, Back cushion	1
		5108278-0650	CUSHION, Bedroom back-right side	2
		5106175-01	FABRIC, Back cushion (54" width, green yellow diamond)	1 yd
32-1.1	7	5108278-R650	COVER, Back cushion	1
		5108278-0752	CUSHION, Bedroom seat-left side	1
		5106177-01	FABRIC, Seat cushion (54" width, reddish orange velvet solid)	5 yds
32-1.1	7	5108278-R752	COVER, Seat cushion	1
		5108278-0751	CUSHION, Bedroom seat-left side	1
		5106176-01	FABRIC, Seat cushion (54" width, orange navy blue indian pattern)	5 yds
		5108278-R751	COVER, Seat cushion	1
	7	5108278-0750	CUSHION, Bedroom seat-left side	1
		5106175-01	FABRIC, Seat cushion (54" width, green yellow diamond)	5 yds
		5108278-R750	COVER, Seat cushion	1
	8	5108278-0852	CUSHION, Bedroom back-left side	2
		5106177-01	FABRIC, Back cushion (54" width, reddish orange velvet solid)	2 yds
		5108278-R852	COVER, Back cushion	1
	8	5108278-0851	CUSHION, Bedroom back-left side	2
		5106176-01	FABRIC, Back cushion (54" width, orange navy blue indian pattern)	2 yds
		5108278-R851	COVER, Back cushion	1
	8	5108278-0850	CUSHION, Bedroom back-left side	2
		5106175-01	FABRIC, Back cushion (54" width, green/yellow diamond)	2 yds
		5108278-R850	COVER, Back cushion	1
	9	5108278-0952	ARMREST, Bedroom cushion	4
		5106177-01	FABRIC, Armrest (54" width, reddish orange velvet solid)	1/2 yd
	9	5108278-0951	ARMREST, Bedroom cushion	4
		5106176-01	FABRIC, Armrest (54" width, orange navy blue indian pattern)	1/2 yd
	9	5108278-0950	ARMREST, Bedroom cushion	4
		5106175-01	FABRIC, Armrest (54" width, green/yellow diamond)	1/2 yd
32-1.1	10	5108278-1052	PILLOW, Bedroom throw	5
		5106172-01	FABRIC, Pillow (54" width, rust green/yellow print)	1 yd
32-1.1	10	5108278-1051	PILLOW, Bedroom throw	5
		5106167-01	FABRIC Pillow (54" width, solid orange ribbed)	1 yd
	10	5108278-1050	PILLOW, Bedroom throw	5
		5108263-01	FABRIC, Pillow (54" width, solid light orange ribbed)	1 yd
<p>THE FOLLOWING CUSHIONS ARE USED ON FLOOR PLANS "J" & "M"</p> <p>NOTE: See Group 3 for front passenger seat; figure for front sofa assembly.</p>				
	5	5108278-0552	CUSHION, Bedroom seat-right side	1
		5106177-01	FABRIC, Seat cushion (54" width, reddish orange velvet solid)	4 yds
		5108278-R552	COVER, Seat cushion	1
	5	5108278-0551	CUSHION, Bedroom seat-right side	1
		5106176-01	FABRIC, Seat cushion (54" width, orange navy blue indian pattern)	4 yds
		5108278-R551	COVER, Seat cushion	1
	5	5108278-0550	CUSHION, Bedroom seat-right side	1
		5106175-01	FABRIC, Seat cushion (54" width, green/yellow diamond)	4 yds
		5108278-R550	COVER, Seat cushion	1
	5	5108278-0560	CUSHION, Bedroom seat-right side	1
		5106174-01	FABRIC, Seat cushion (54" width, brown/maroon plaid)	4 yds
32-1.1	5	5108278-R560	COVER, Seat cushion	1
		5108278-0559	CUSHION, Bedroom seat-right side	1
		5106173-01	FABRIC, Seat cushion (54" width, blue swirl pattern)	4 yds
		5108278-R559	COVER, Seat cushion	1
32-1.1	6	5108278-0652	CUSHION, Bedroom back-right side	2
		5106177-01	FABRIC, Seat back cushion (54" width, reddish orange/velvet solid)	1 yd

REPAIR PARTS LIST

GROUP 32
MODEL 2900R

FIG NO.	ITEM NO.	PART NUMBER	ITEM DESCRIPTION	QTY PER UNIT
<u>DINETTE (ALL FLOOR PLAN "A" COACHES)</u>				
32-3	1	5101176-26	DOOR, Dinette storage	2
	2	5100291	HINGE, Dinette door	4
	3	M14024	SCREW, Door hinge (no. 6 x 1/2)	32
	4	M20068	MOLDING, Dinette doors, T (9/16)	12 ft
	5	M12003	PANEL, Dinette seat access, plywood	5 sq ft
32-3	6	5100650-01BL	END PANEL, Rear (blue) (coaches 00001 to 00873)	1
		5100650-01RU	END PANEL, Rear (rust) (coaches 00001 to 00873)	1
		5100650-01GR	END PANEL, Rear (green) (coaches 00001 to 00873)	1
		5108490-0157	END PANEL, Rear (asparagus) (coaches 00874 and up)	1
		5108490-0156	END PANEL, Rear (pongee) (coach 00874 and up)	1
		5108490-0155	END PANEL, Rear (rust) (coach 00874 and up)	1
	7	M14039	SCREW, End panel (#10 x 1 1/4)	6
32-3	8	5100650-R011BL	BUTTON, End panel, (blue) (coaches 00001 to 00873)	8
		5100650-R011RU	BUTTON, End panel, (rust) (coaches 00001 to 00873)	8
		5100650-R011GR	BUTTON, End panel, (green) (coaches 00001 to 00873)	8
		5108490-R001	BUTTON, End panel (asparagus) (coaches 00874 and up)	8
		5108490-R002	BUTTON, End panel (pongee) (coaches 00874 and up)	8
32-3	9	5108490-R003	BUTTON, End panel (rust) (coaches 00874 and up)	8
		5100650-02BL	END PANEL, Front (blue) (coaches 00001 to 00873)	1
		5100650-02RU	END PANEL, Front (rust) (coaches 00001 to 00873)	1
		5100650-02GR	END PANEL, Front (green) (coaches 00001 to 00873)	1
		5108490-0257	END PANEL, Front (asparagus) (coach 00874 and up)	1
		5108490-0256	END PANEL, Front (pongee) (coach 00874 and up)	1
		5108490-0255	END PANEL, Front (rust) (coach 00874 and up)	1
	10	M14039	SCREW, End panel (#10 x 1 1/4)	6
	11	5100650-R011BL	BUTTON, End panel, (blue) (coaches 00001 to 00873)	8
		5100650-R011RU	BUTTON, End panel, (rust) (coaches 00001 to 00873)	8
		5100650-R011GR	BUTTON, End panel, (green) (coaches 00001 to 00873)	8
	5108490-R001	BUTTON, End panel, (asparagus) (coaches 00874 and up)	8	
	5108490-R002	BUTTON, End panel, (pongee) (coaches 00874 and up)	8	
	5108490-R003	BUTTON, End panel, (rust) (coaches 00874 and up)	8	
NOTE: At approximately coach 00874 new color and fabric designs for the dinette were implemented. The old dinette (5100650) is to be replaced for service by the new (5108490) and as an assembly are interchangeable. If vinyl and fabric are required refer to drawings 5100650, and 5108490.				
32-3	12	5100721-06	ANGLE, Dinette	2
	13	M14046	SCREW, Angle (No. 10 x 1/2)	8
	14	5100721-06	ANGLE, Dinette	2
	15	M14047	SCREW, Angle (No. 10 x 5/8)	8
	16	5100721-06	ANGLE, Dinette	4
	17	M14046	SCREW, Angle (No. 10 x 1/2)	8
	18	M14047	SCREW, Angle (No. 10 x 5/8)	8
	19	5101176-59	BRACKET, Back cushion support bar	2
	20	M14059	SCREW, Bracket attaching (No. 10 x 3/4)	4
	21	M14009	SCREW, Bracket attaching (No. 10 x 1-1/4)	4
	22	5100974-BL	TOP CAP, Rear seat, (blue) (coaches 00001 to 00873)	1
		5100974-RU	TOP CAP, Rear seat, (rust) (coaches 00001 to 00873)	1
	5100974-GR	TOP CAP, Rear seat, (green) (coaches 00001 to 00873)	1	
	5108498-0157	TOP CAP, Rear seat, (asparagus) (coach 00874 and up)	1	
	5108498-0156	TOP CAP, Rear seat, (pongee) (coach 00874 and up)	1	
	5108498-0155	TOP CAP, Rear seat, (rust) (coach 00874 and up)	1	
NOTE: At approximately coach 00874 new color and fabric designs for the dinette were implemented. If vinyl and fabric are required refer to drawings 5100974, and 5108498.				
23	5100397-02	GIMP, Plastic (opt w/5101080-02)	8 ft	
24	5101081-01	TABLE TOP, Dinette (green) (coaches 00001 to 00873)	1	
	5101081-02	TABLE TOP, Dinette (rust) (coaches 00001 to 00873)	1	
	5101081-03	TABLE TOP, Dinette (blue) (coaches 00001 to 00873)	1	
	5101081-R001	TABLE TOP, Dinette (antique leather) (coach 00874 & up)	1	
	5101081-R002	TABLE TOP, Dinette (white leather) (coach 00874 & up)	1	
	5101081-R003	TABLE TOP, Dinette (saddle tan leather) (coach 00874 & up)	1	

REPAIR PARTS LIST

GROUP 32 Furniture
MODEL 2900R

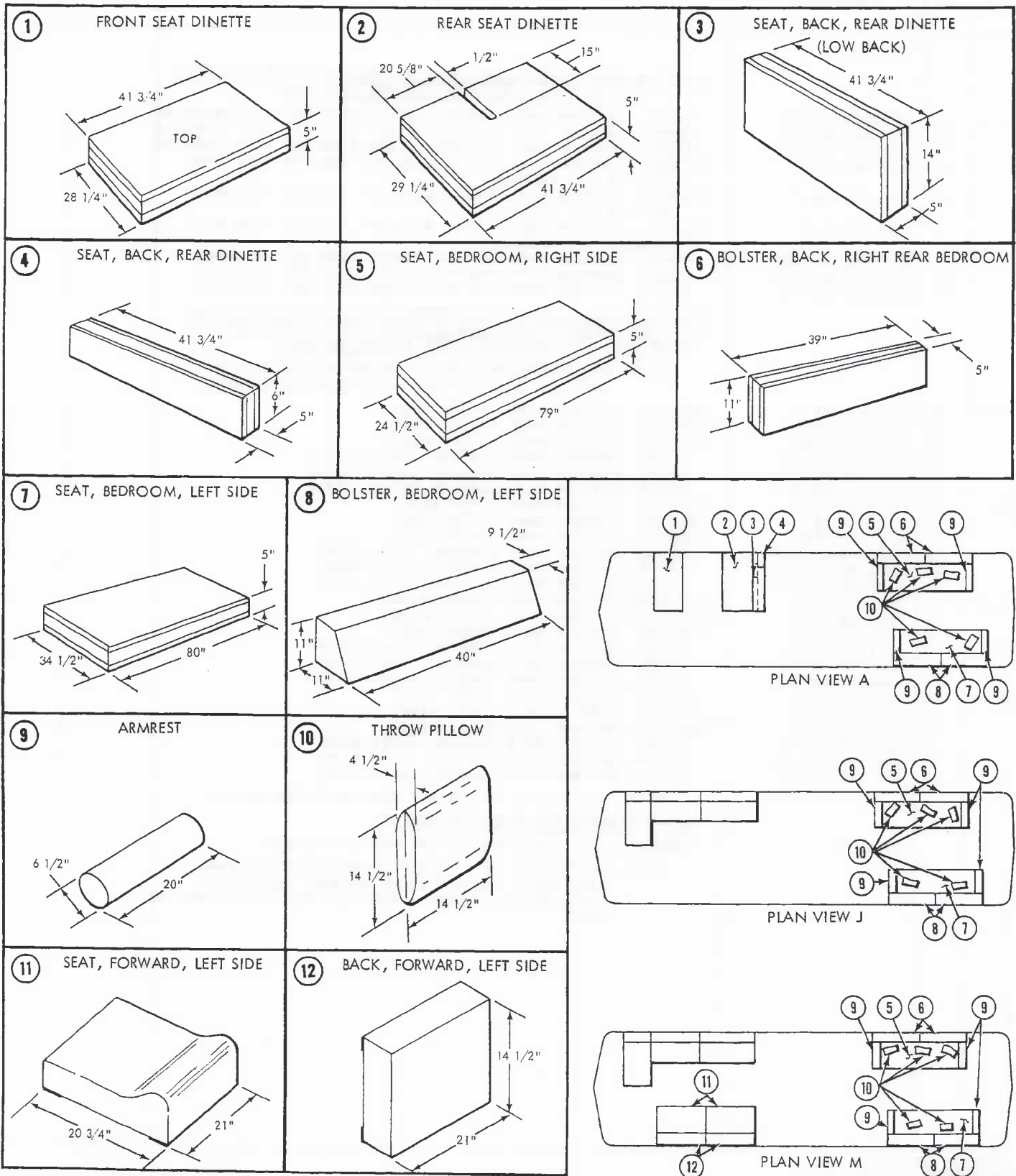


Figure 32-1.1. Cushions and Bolsters (Coach 00874 and Up)

REPAIR PARTS LIST

GROUP 32 Furniture
 MODEL 2900R

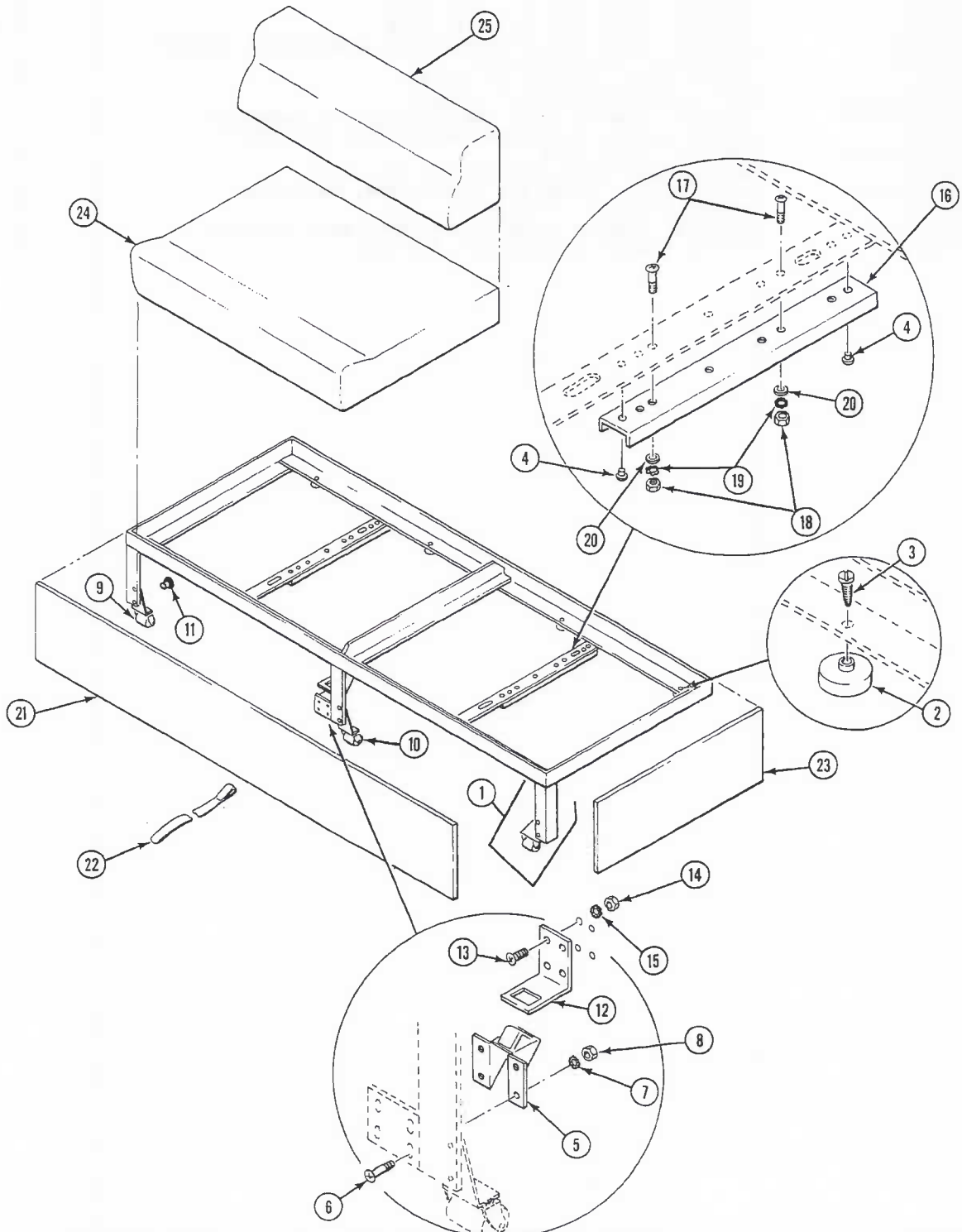


Figure 32-4. Dinette/Sofa Assembly (All Floor Plan J Coaches)

SD-326

REPAIR PARTS LIST

GROUP 32 Furniture
MODEL 2900R

FIG NO.	ITEM NO.	PART NUMBER	ITEM DESCRIPTION	QTY PER UNIT	
<u>CUSHIONS (COACHES 00001 TO 00873)</u>					
<u>The following cushions are used on Floor Plan A Coaches:</u>					
Color Scheme - GREEN (GR), RUST (RU), BLUE (BL) with JAMAICA-SKEET fabric pattern.					
32-1	1	5101768-01GR	CUSHION, Dinette seat (forward) (Sup 5100113)	1	
	1	5101768-01RU	CUSHION, Dinette seat (forward) (Sup 5100113)	1	
	1	5101768-01BL	CUSHION, Dinette seat (forward) (Sup 5100113)	1	
32-1	1	5101768-R001GR	COVER, Dinette seat cushion (forward) (Sup 5100113-R001)	1	
	1	5101768-R001RU	COVER, Dinette seat cushion (forward) (Sup 5100113-R001)	1	
	1	5101768-R001BL	COVER, Dinette seat cushion (forward) (Sup 5100113-R001)	1	
	2	5101768-02GR	CUSHION, Dinette seat (rear) (Sup 5100110)	1	
	2	5101768-02RU	CUSHION, Dinette seat (rear) (Sup 5100110)	1	
	2	5101768-02BL	CUSHION, Dinette seat (rear) (Sup 5100110)	1	
32-1	2	5101768-R002GR	COVER, Dinette seat cushion (rear) (Sup 5100110-R001)	1	
	2	5101768-R002RU	COVER, Dinette seat cushion (rear) (Sup 5100110-R001)	1	
	2	5101768-R002BL	COVER, Dinette seat cushion (rear) (Sup 5100110-R001)	1	
	3	5101768-03GR	CUSHION, Dinette seat back (rear) (Sup 5101117-04)	1	
	3	5101768-03RU	CUSHION, Dinette seat back (rear) (Sup 5101117-04)	1	
	3	5101768-03BL	CUSHION, Dinette seat back (rear) (Sup 5101117-04)	1	
32-1	3	5101768-R003GR	COVER, Dinette seat back cushion (rear) (Sup 5101117-R001)	1	
	3	5101768-R003RU	COVER, Dinette seat back cushion (rear) (Sup 5101117-R001)	1	
	3	5101768-R003BL	COVER, Dinette seat back cushion (rear) (Sup 5101117-R001)	1	
32-1	4	5101768-04GR	CUSHION, Dinette seat back filler (rear) (Sup 5101117-05)	1	
	4	5101768-04RU	CUSHION, Dinette seat back filler (rear) (Sup 5101117-05)	1	
	4	5101768-04BL	CUSHION, Dinette seat back filler (rear) (Sup 5101117-05)	1	
	4	5101768-R004GR	COVER, Dinette seat back filler cushion (rear) (Sup 5101117-R002)	1	
32-1	4	5101768-R004RU	COVER, Dinette seat back filler cushion (rear) (Sup 5101117-R002)	1	
	4	5101768-R004BL	COVER, Dinette seat back filler cushion (rear) (Sup 5101117-R002)	1	
	5	5101768-05GR	CUSHION, Bedroom seat (right side) (Sup 5100109-05)	1	
	5	5101768-05RU	CUSHION, Bedroom seat (right side) (Sup 5100109-05)	1	
32-1	5	5101768-05BL	CUSHION, Bedroom seat (right side) (Sup 5100109-05)	1	
	5	5101768-R005GR	COVER, Bedroom seat cushion (right side) (Sup 5100109-R001)	1	
	5	5101768-R005RU	COVER, Bedroom seat cushion (right side) (Sup 5100109-R001)	1	
	5	5101768-R005BL	COVER, Bedroom seat cushion (right side) (Sup 5100109-R001)	1	
	6	5101768-07GR	CUSHION, Bedroom seat (left side) (Sup 5100111)	1	
	6	5101768-07RU	CUSHION, Bedroom seat (left side) (Sup 5100111)	1	
	6	5101768-R007GR	COVER, Bedroom seat cushion (left side) (Sup 5100111-R001)	1	
	6	5101768-R007RU	COVER, Bedroom seat cushion (left side) (Sup 5100111-R001)	1	
	6	5101768-R007BL	COVER, Bedroom seat cushion (left side) (Sup 5100111-R001)	1	
	7	5101768-08GR	CUSHION, Bedroom back (left side) (Sup 5100114)	2	
32-1	7	5101768-08RU	CUSHION, Bedroom back (left side) (Sup 5100114)	2	
	7	5101768-08BL	CUSHION, Bedroom back (left side) (Sup 5100114)	2	
	7	5101768-R008GR	COVER, Bedroom back cushion (left side) (Sup 5100114-R001)	2	
	7	5101768-R008RU	COVER, Bedroom back cushion (left side) (Sup 5100114-R001)	2	
	7	5101768-R008BL	COVER, Bedroom back cushion (left side) (Sup 5100114-R001)	2	
	<u>The following two items used on Coaches 00001 to 00100</u> <u>Floor Plan A with plywood back rest only</u>				
32-1	8	5100109-06GR	CUSHION, Bedroom back (right side) (80" x 5")	1	
	8	5100109-06RU	CUSHION, Bedroom back (right side) (80" x 5")	1	
	8	5100109-06BL	CUSHION, Bedroom back (right side) (80" x 5")	1	
	8	5100109-R002GR	COVER, Bedroom back cushion (right side) (80" x 5")	1	
	8	5100109-R002RU	COVER, Bedroom back cushion (right side) (80" x 5")	1	
	8	5100109-R002BL	COVER, Bedroom back cushion (right side) (80" x 5")	1	
	NOTE: See Figure 32-1.1 for coaches 00874 and up.				

REPAIR PARTS LIST

GROUP 32 Furniture
 MODEL 2900R

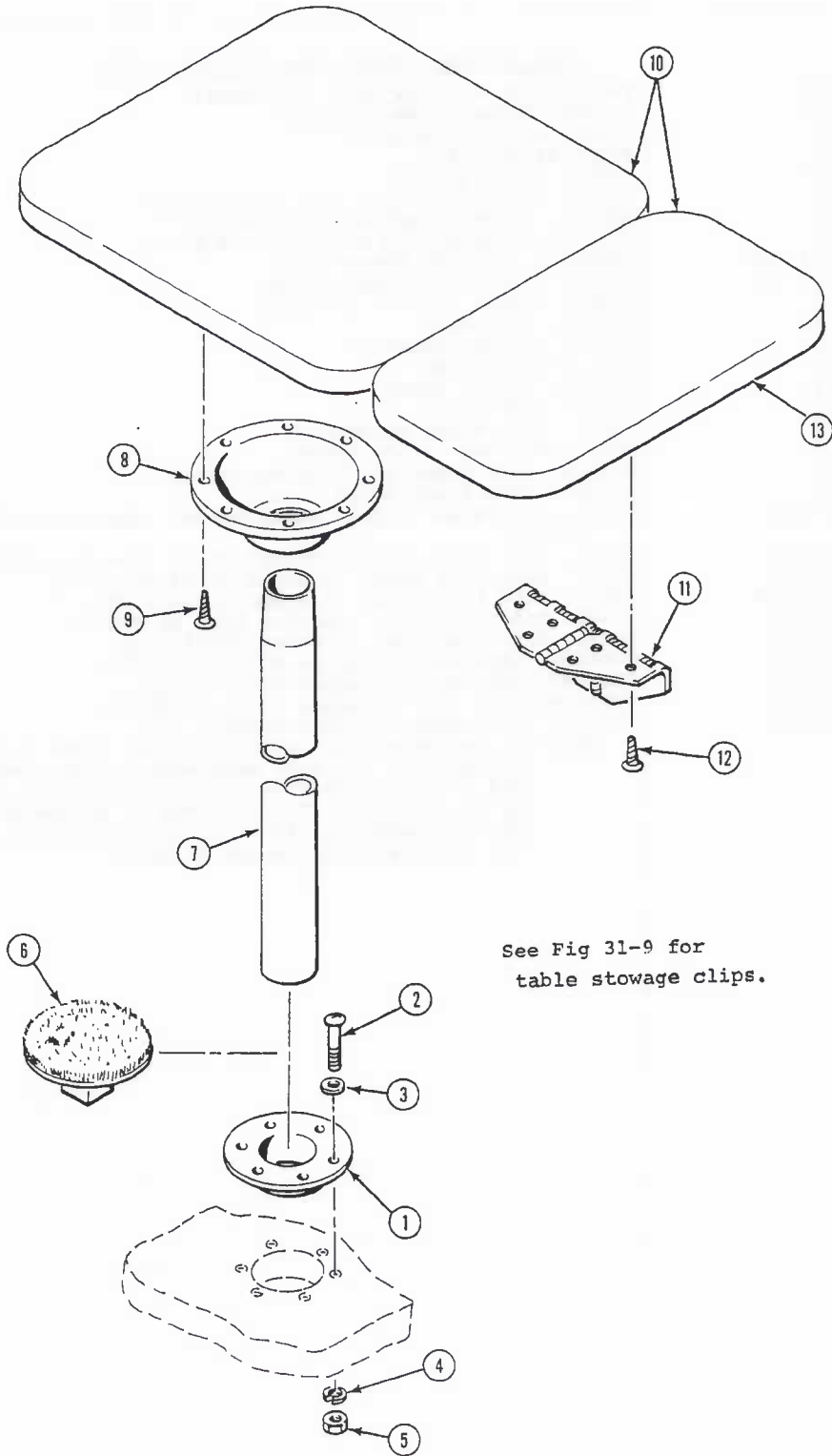


Figure 32-5. Dinette Table (All Floor Plan "J" & "M" Coaches)

JD-327

REPAIR PARTS LIST

GROUP 32
MODEL 2900R

FIG NO.	ITEM NO.	PART NUMBER	ITEM DESCRIPTION	QTY PER UNIT
DINETTE TABLE (ALL FLOOR PLAN "J" & "M" COACHES)				
32-5	1	5101720-02	BASE, Table leg floor	2
	2	M14271	SCREW, Base to floor (1/4-20 x 1-1/2)	12
	3	M17045	WASHER, Base to floor screw (1/4 flat)	12
	4	M17024	WASHER, Base to floor screw (1/4 lock)	12
	5	M17070	NUT, Base to floor screw (1/4-20)	12
	5	M17040	NUT, Base to floor tee (optional)	12
			NOTE: If tee nut M17040 is used, discard M17045, M17024, and M17070.	
32-5	6	5101844	PLUG, Table leg floor base	2
	7	5101720-03	LEG, Table	2
	8	5101720-01	BASE, Table leg (on table)	2
	9	M14073	SCREW, Table leg base to table (No. 14 x 5/8)	16
	10	5101733-501	TABLE Top Assy W/Hinge (green) (coaches 00001 to 00873)	2
		5101733-502	TABLE Top Assy W/Hinge (rust) (coaches 00001 to 00873)	2
		5101733-503	TABLE Top Assy W/Hinge (blue) (coaches 00001 to 00873)	2
		5101733-504	TABLE Top Assy W/Hinge (persian leather) (coach 00874 & up)	2
		5101733-505	TABLE Top Assy W/Hinge (camel) (coach 00874 & up)	2
		5101733-506	TABLE Top Assy W/Hinge (harvest leather) (coach 00874 & UP)	2
		5101733-507	TABLE Top Assy W/Hinge (walnut) (coach 00874 & up)	2
	11	5101624	HINGE, Dinette table	4
	12	M14073	SCREW, Dinette table hinge	24
32-5	13	5100826-01	EDGING, Table top	11 ft
			NOTE: See Figure 31-9 for table storage clips.	