

Group 18 Differential Assembly

GENERAL: This group contains information on the differential assembly and all mounting parts necessary for its installation.

SPECIFICS: As applicable

- ...Differential Carrier Assembly
- ...Differential Flanges
- ...Differential Gears, Shafts, etc.
- ...Differential Housing



FMC Corporation
Motor Coach Division
333 Brokaw Road Box 664 Santa Clara California 95052

REPAIR PARTS LIST

GROUP 18 Differential
 MODEL 2900R

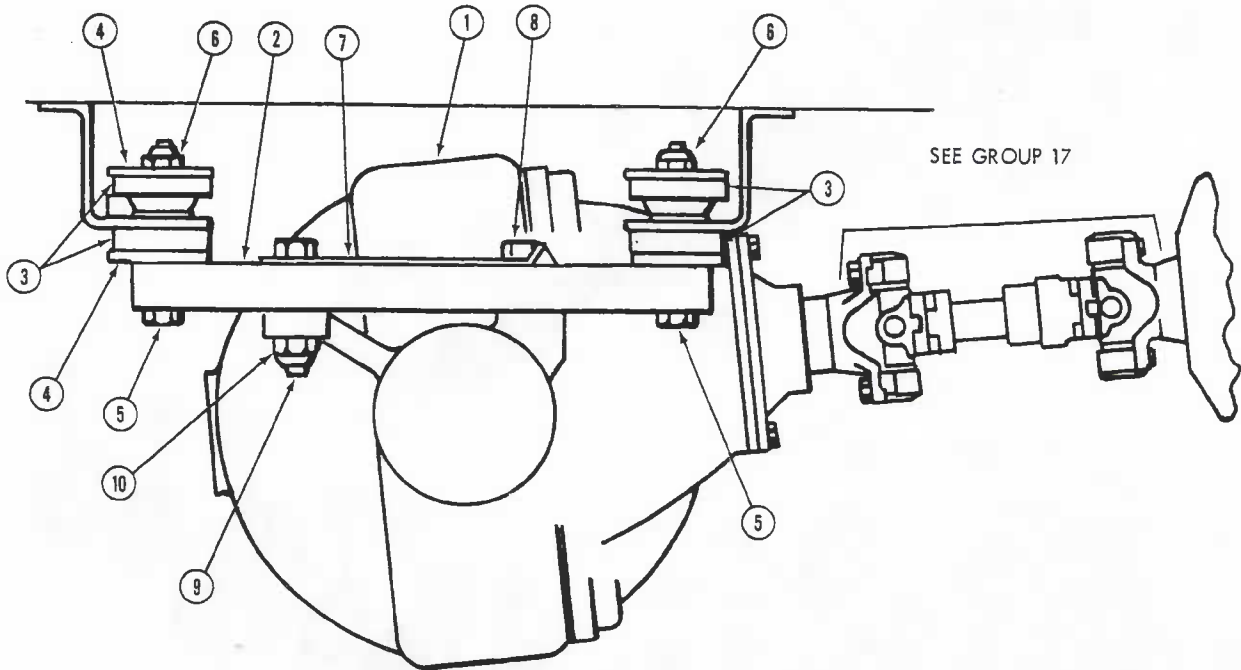


Figure 18-1. Differential Mounting

SD-172

FIG NO.	ITEM NO.	PART NUMBER	ITEM DESCRIPTION	QTY PER UNIT
18-1	1	5100041	DIFFERENTIAL ASSEMBLY, Power train (RSD-JF140-X2, 4.625:1 ratio)	1
	2	5101904	SUPPORT, Differential to frame (supersedes 5101068)	2
	3	5100456-01	MOUNT, Differential rubber	8
	4	5100570-01	WASHER, Differential mount steel (3-1/4 OD)	8
	5	M18072	SCREW, Differential mount (5/8 - 18 x 5-1/4)	4
	6	M17019	NUT, Differential mount screw (5/8 - 18)	2
	7	5100569	TAB, Differential mount lock	2
	8	M18070	SCREW, Tab to differential support (3/4 - 10 x 2-3/4)	2
	9	M18069	BOLT, Tab to differential support (3/4 - 10 x 3-1/2)	2
18-1	10	M17075	NUT, Tab to differential support bolt (3/4 - 10)	2

REPAIR PARTS LIST

GROUP 18 Differential

MODEL 2900R

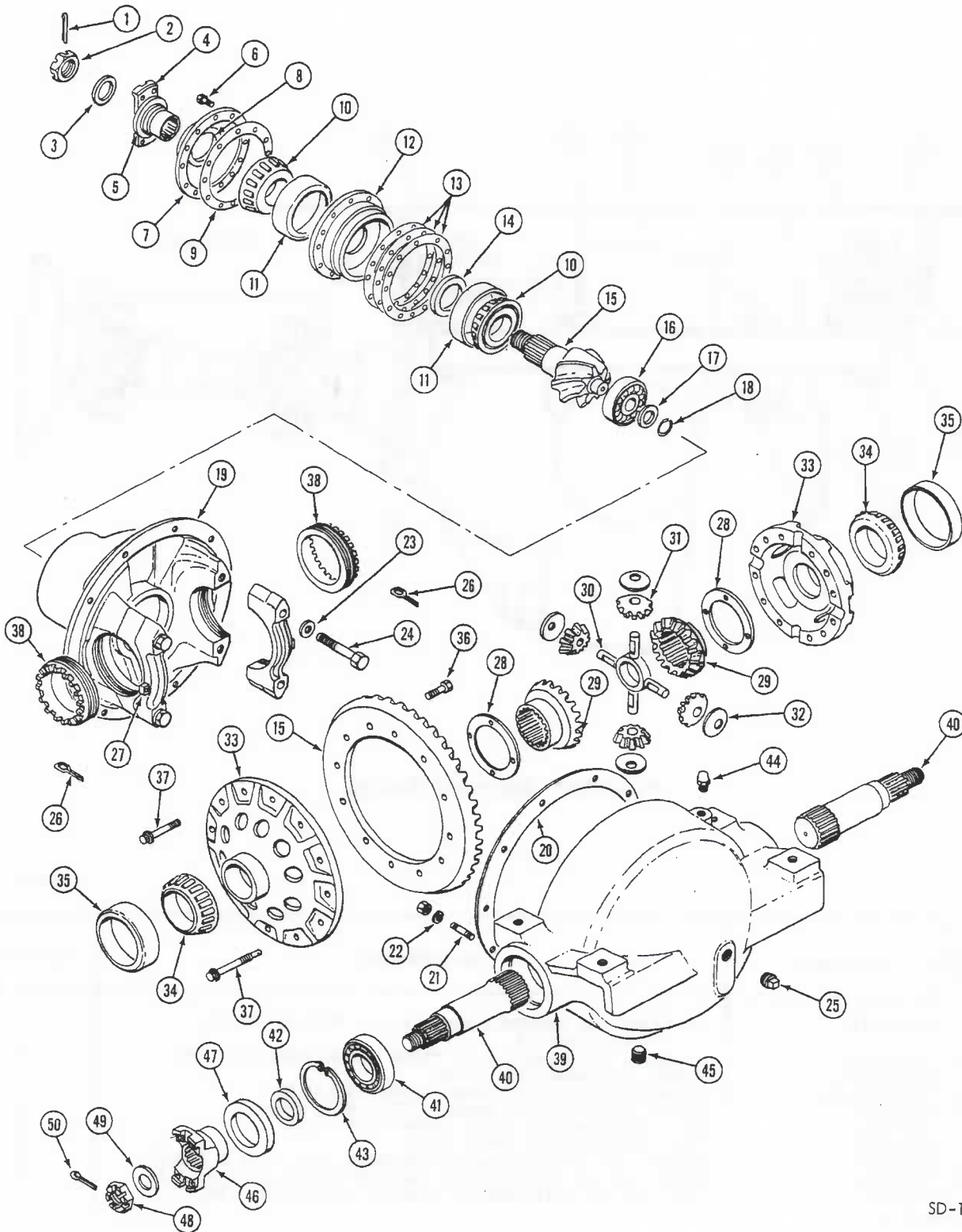


Figure 18-2. Differential Assembly

SD-173

REPAIR PARTS LIST

GROUP 18
MODEL 2900R

FIG NO.	ITEM NO.	PART NUMBER	ITEM DESCRIPTION	QTY PER UNIT
			<u>COMPONENT PARTS OF DIFFERENTIAL CARRIER AND HOUSING ASSEMBLY</u>	
		5100041-R084	CARRIER ASSEMBLY, W/all gears (RSD-F26-3200-A-1093, 4.625:1 ratio)	1
18-2	1	5100041-R008	PIN, Front yoke attaching nut (RSD-K2416)	1
	2	5100041-R002	NUT, Input yoke attaching (RSD-1227-C-939)	1
	3	5100041-R003	WASHER, Input yoke nut (RSD-1229-Z-2392)	1
	4	5100041-R001	YOKE W/SLINGER ASSY, Differential input (RSD-A3280-P-5918)	1
	5	5100041-R004	SLINGER, Input yoke (RSD-2847-H-346)	1
	6	5100041-R010	SCREW, Drive pinion cover (RSD-S2711-1)	8
	7	5100041-R011	COVER ASSY W/SEAL, Drive pinion (RSD-A3266-A-104)	1
	8	5100041-R012	OIL SEAL, Drive pinion cover (RSD-A1205-K-635)	1
	9	5100041-R013	GASKET, Drive pinion cover (RSD-2208-G423)	1
18-2	10	5100041-R014	CONE, Drive pinion cage bearing (TRB-HM903247)	2
	11	5100041-R015	CUP, Drive pinion cage bearing (TRB-HM-903246)	2
	12	5100041-R016	CAGE & CUP ASSY, Drive pinion (RSD-A84-3226-B80)	1
	13	5100041-R017	SHIM, Pinion cage to carrier 0.003 (RSD-2203-P-1264)	AR
	13	5100041-R018	SHIM, Pinion cage to carrier 0.005 (RSD-2203-W465)	AR
	13	5100041-R019	SHIM, Pinion cage to carrier 0.010 (RSD-2203-X466)	AR
	14	5100041-R020	SHIM, Pinion forward bearing 0.334 (RSD-2203-W1271)	AR
	14	5100041-R021	SHIM, Pinion forward bearing 0.335 (RSD-2203-X1272)	AR
	14	5100041-R022	SHIM, Pinion forward bearing 0.336 (RSD-2203-Y1273)	AR
18-2	14	5100041-R023	SHIM, Pinion forward bearing 0.337 (RSD-2203-Z1274)	AR
	14	5100041-R024	SHIM, Pinion forward bearing 0.338 (RSD-2203-A1275)	AR
	14	5100041-R025	SHIM, Pinion forward bearing 0.339 (RSD-2203-B1276)	AR
	14	5100041-R026	SHIM, Pinion forward bearing 0.340 (RSD-2203-C1277)	AR
	14	5100041-R027	SHIM, Pinion forward bearing 0.341 (RSD-2203-D1278)	AR
	14	5100041-R028	SHIM, Pinion forward bearing 0.342 (RSD-2203-E1279)	AR
	14	5100041-R029	SHIM, Pinion forward bearing 0.343 (RSD-2203-F1280)	AR
	14	5100041-R030	SHIM, Pinion forward bearing 0.344 (RSD-2203-G1281)	AR
18-2	14	5100041-R031	SHIM, Pinion forward bearing 0.345 (RSD-2203-H1282)	AR
	14	5100041-R032	SHIM, Pinion forward bearing 0.346 (RSD-2203-J1284)	AR
	14	5100041-R033	SHIM, Pinion forward bearing 0.347 (RSD-2203-K1285)	AR
	14	5100041-R034	SHIM, Pinion forward bearing 0.348 (RSD-2203-L1286)	AR
	14	5100041-R035	SHIM, Pinion forward bearing 0.349 (RSD-2203-M1287)	AR
	14	5100041-R036	SHIM, Pinion forward bearing 0.350 (RSD-2203-N1288)	AR
	14	5100041-R037	SHIM, Pinion forward bearing 0.351 (RSD-2203-P1290)	AR
	14	5100041-R038	SHIM, Pinion forward bearing 0.352 (RSD-2203-O1291)	AR
	14	5100041-R039	SHIM, Pinion forward bearing 0.353 (RSD-2203-R1292)	AR
	14	5100041-R040	SHIM, Pinion forward bearing 0.354 (RSD-2203-S1293)	AR
18-2	14	5100041-R041	SHIM, Pinion forward bearing 0.355 (RSD-2203-T1294)	AR
	14	5100041-R042	SHIM, Pinion forward bearing 0.356 (RSD-2203-U1295)	AR
	14	5100041-R043	SHIM, Pinion forward bearing 0.357 (RSD-2203-V1296)	AR
	14	5100041-R044	SHIM, Pinion forward bearing 0.358 (RSD-2203-W1297)	AR
	14	5100041-R045	SHIM, Pinion forward bearing 0.359 (RSD-2203-X1298)	AR
	14	5100041-R046	SHIM, Pinion forward bearing 0.360 (RSD-2203-Y1299)	AR
	14	5100041-R047	SHIM, Pinion forward bearing 0.361 (RSD-2203-Z1300)	AR
	14	5100041-R048	SHIM, Pinion forward bearing 0.362 (RSD-2203-A1301)	AR
	14	5100041-R049	SHIM, Pinion forward bearing 0.363 (RSD-2203-B1302)	AR
18-2	14	5100041-R050	SHIM, Pinion forward bearing 0.364 (RSD-2203-C1303)	AR
	14	5100041-R051	SHIM, Pinion forward bearing 0.365 (RSD-2203-D1304)	AR
	15	5100041-R052	BEVEL GEAR AND PINION SET 4.625:1 ratio (RSD-A-37428)	1
	16	5100041-R053	BEARING, Drive pinion pilot (RSD-1228-H-268)	1
	17	5100041-R054	WASHER, Drive pinion bearing (RSD-1229-E1331)	1
	18	5100041-R055	LOCKRING, Drive pinion bearing (RSD-1229-W1167)	1
	19	5100041-R085	CARRIER AND CAP ASSY, Less all gears (RSD-A2-3200-A-1093)	1
18-2	20	5100041-R057	GASKET, Carrier to housing (RSD-2808-K973)	1

REPAIR PARTS LIST

GROUP 18
MODEL 2900R

FIG NO.	ITEM NO.	PART NUMBER	ITEM DESCRIPTION	QTY PER UNIT
18-2	21	5100041-R010	SCREW, Carrier to housing (short) (RSD-S2711-1)	6
	21	5100041-R058	SCREW, Carrier to housing (med) (RSD-S-2713-1)	2
	21	5100041-R059	SCREW, Carrier to housing (long) (RSD-S-2718-1)	2
	22	5100041-R060	WASHER, Carrier to housing screw (RSD-1229-E-1513)	10
	23	5100041-R061	WASHER, Carrier cap-screw (RSD-1229-U-1503)	4
	24	5100041-R062	CAPSCREW, Carrier to cap (RSD-S-21026-1)	4
	25	5100041-R063	PLUG, Carrier and housing grease filler (RSD-P212)	2
	26	5100041-R064	LOCK, Adjusting ring cotter (RSD-1199-R2176)	2
	27	5100041-R065	DOWEL, Carrier locating (RSD-1246-D342)	4
	18-2	28	5100041-R066	WASHER, Side gear thrust (RSD-1229-Y-883)
29		5100041-R067	GEAR, Side (RSD-2234-V256)	2
30		5100041-R068	SPIDER, Differential (RSD-3278-Z-104)	1
31		5100041 R069	GEAR, Diff spider pinion (RSD-2233-A-105)	4
32		5100041-R070	WASHER, Spider pinion gear thrust (RSD-1229-U-1061)	4
33		5100041-R071	CASE ASSY, W/CAPSCREWS (RSD-A-3235-P-1134)	1
34		5100046-01	CONE, Case bearing (TRB-3994)	2
35		5100286-R007	CUP, Case bearing (TRB-JM511910)	2
36		5100041-R072	RIVET, Differential case (RSD-RV7812)	12
18-2		37	5100041-R073	CAPSCREW, Differential case (RSD-15X1309)
	38	5100041-R074	RING, Diff adjusting (RSD-2214-E-5)	2
	39	5100041-R075	HOUSING ASSEMBLY, Differential (RSD-3201-L-4952)	1
	40	5100041-R076	SHAFT, Differential output (RSD-3202-T-6390)	2
	41	5100041-R077	BEARING, Differential output shaft (RSD-1228-J452)	2
	42	5100041-R078	SPACER, Differential shaft bearing (RSD-1224-N-1430)	2
	43	5100041-R079	RING, Differential shaft brg snap (RSD-1854-T-280)	2
	44	5100041-R080	BREATHER, Diff housing (RSD-A1199-J-166)	1
	45	5100041-R081	PLUG, Housing drain hole (RSD-1250-Z-182A)	1
	18-2	46	5100041-R005	YOKE, Diff to propeller shaft (RSD-3280-H-1854)
47		5100041-R082	OIL SEAL, Diff to prop shaft yoke (RSD-A1205-L-766)	2
48		5100041-R006	NUT, Yoke to diff (RSD-14 x 57)	2
49		5100041-R007	WASHER, Yoke to diff nut (RSD-1229-P-1030)	2
50		5100041-R008	PIN, Yoke to diff nut cotter (K2416)	2