

Group 11 Fuel System

GENERAL: This group contains information on the automotive fuel system from the fuel tank to engine and auxiliary power unit carburetors. Includes the accelerator pedal and linkage to carburetor.

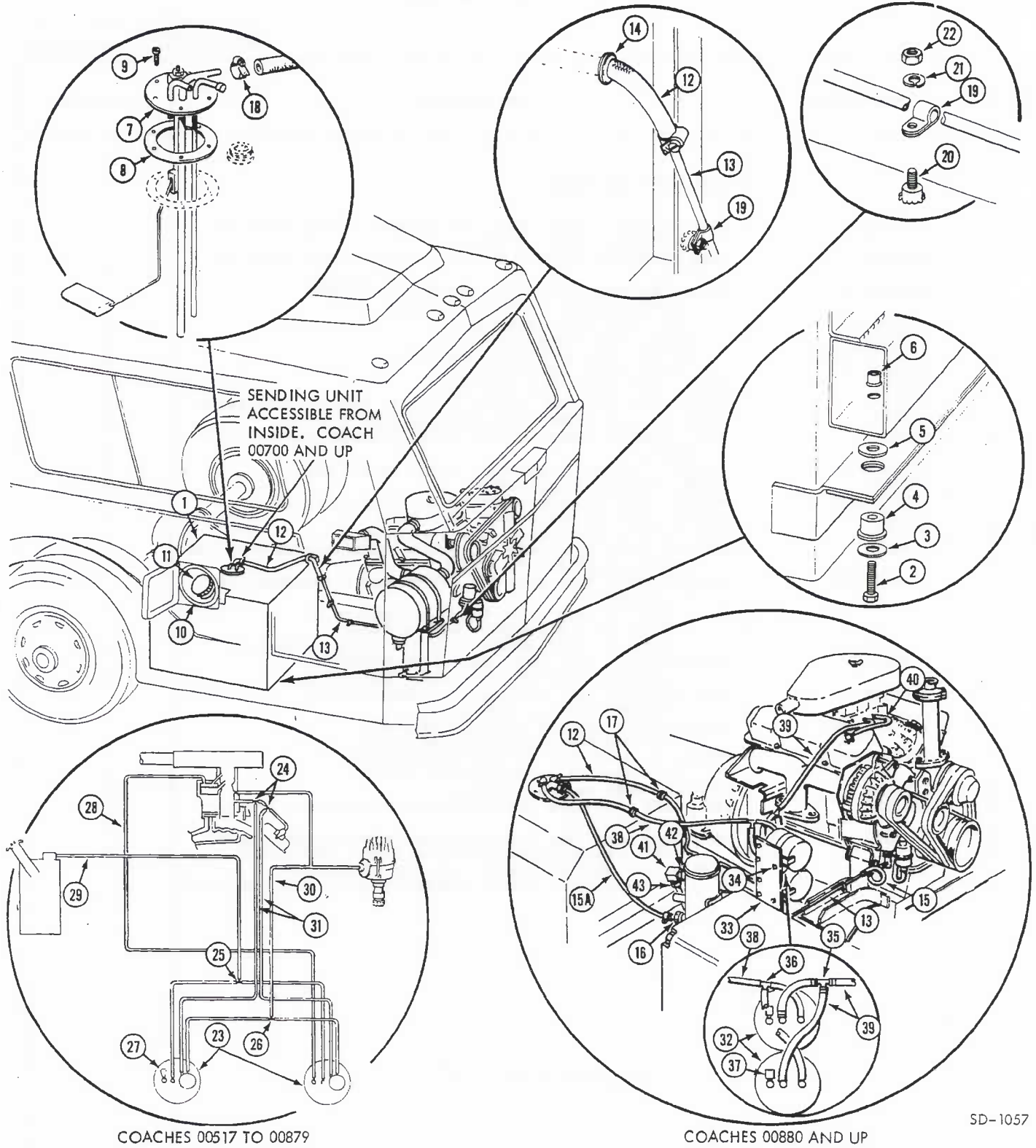
SPECIFICS: As applicable

- ...Accelerator Pedal
- ...Accelerator Pedal Linkage (engine, transmission)
- ...Cruise Control - Accelerator
- ...Engine Carburetor and Air Cleaner (includes vacuum lines)
- ...Fuel Filter
- ...Fuel Lines
- ...Fuel Pumps
- ...Fuel Sending Unit
- ...Fuel Strainers
- ...Fuel Tank



REPAIR PARTS LIST

GROUP 11 Fuel System
 MODEL 2900R



COACHES 00517 TO 00879

COACHES 00880 AND UP

SD-1057

Figure 11-1. Fuel Tank and Lines.

REPAIR PARTS LIST

GROUP 11
MODEL 2900R

FIG NO.	ITEM NO.	PART NUMBER	ITEM DESCRIPTION	QTY PER UNIT
			<u>FUEL TANK AND LINES</u>	
11-1	1	5101509	TANK W/SENDING UNIT, Fuel (60 gallon) (coach 00001 to 00974 and 1021 to 1050)	1
	1	5106423	TANK W/SENDING UNIT, Fuel (75 gallon) (coach 00975 to 1014)	1
	1	5108959-01	TANK W/SENDING UNIT, Fuel (60 gallon-SNYDER) (coaches 1015 through 1020 only)	1
		5108959-04	CAP, Fuel tank (STC-8464-4)	1
		5108959-05	DOME, Fuel vapor (STC-8456)	1
		5108959-06	VALVE, Tank roll over (STC-8457)	1
		5108959-07	SCREW, Dome (STC-1428)	6
		M24127	PLUG, Fuel tank drain (1/4-18)	1
	2	M18035	BOLT, Tank to frame (1/2-13 x 2 1/2) (except 1015-1020)	4
	2	M18034	BOLT, Tank to frame (optional) (1/2-13 x 3 1/2)	4
	2	M18036	BOLT, Tank to frame (1/2-13 x 2) (coaches 1015 to 1020 only)	4
	3	5100570-03	WASHER, Tank to frame bolt (0.516 ID x 2 OD)	4
	4	5100440	MOUNT, Tank to frame rubber	4
	5	5100570-02	WASHER, Tank to frame bolt (0.516 ID x 1-1/2 OD)	4
	5	M-17023	WASHER, Tank to frame bolt (1/2 flat)	8
11-1	6	M-25040	NUT, Tank to frame bolt (1/2 x 13 rivnut)	4
	7	5106032	SENDING UNIT, Fuel gage (60 gallon tank) (coach 00001 to 00974 and 001021 to 01050)	1
	7	5106032-01	SENDING UNIT, Fuel gage (75 gallon tank) (coaches 00975 to 01014)	1
			NOTE: Plug or tape vapor metering orifice if coach is not equipped with a vapor emission fuel system (coaches 00001 to 00517)	
	7	5108984	SENDING UNIT, Fuel gage (60 gallon-SNYDER) (COACHES 1015 to 1020 only) (VDO-226001)	1
	7	5108985	MOUNTING KIT, Fuel sending unit (VDO-226051) (COACHES 1015 to 1020 only)	1
	8	5100156-R002	GASKET, Fuel sending unit (TA-8822010) (all coaches except 1015 to 1020)	1
	9	5100156-R003	SCREW, Sending unit to tank (TA-8810448) (all coaches except 1015 to 1020)	5
	10	5100142	GROMMET, Fuel tank filler tube	1
	11	5101163	CAP, Fuel tank (use with vented system coaches 00001 to 00516)	1
	11	5101515	CAP, Fuel tank (use with vapor emission system coaches 00517 and up except 01015 to 01020) (ST-G705E)	1
			CAUTION: Do not use sealed type cap on coaches that use a vented system (coaches 00001 to 00517)	

Continued on next page

REPAIR PARTS LIST

GROUP 11
MODEL 2900R

FIG NO.	ITEM NO.	PART NUMBER	ITEM DESCRIPTION	QTY PER UNIT
	11	5108959-04	CAP, Fuel tank (STC-8464-4) (60 gallon-SYNDER) (coaches 1015 to 1020 only)	1
11-1	12	M-20015	HOSE, Fuel tank to steel line (3/8) (supersedes 5101169-02)	3 ft
	13	5100911	LINE, Tank hose to fuel pump hose steel	1
	14	M-20012	GROMMET, Fuel hose to frame (5/8)	1
	15	M-20015	HOSE, Engine fuel pump to steel line (3/8) (to coach 00956) (supersedes 5101169-01)	2 ft
		M-20016	HOSE, Engine fuel pump to steel line (5/16) (coach 00957 and up)	2
	15A	M-20016	HOSE, Fuel tank to aux power unit	3 ft
	16	M-24101	ADAPTER, Fuel hose to APU pump	1
11-1	17	M-20013	GROMMET, Fuel tank hose (9/16)	2
	18	M-22041	CLAMP, Fuel hose (worm gear type)	13
	19	M-22037	CLAMP, Fuel hose (3/8 cushioned)	4
		M-18057	BOLT, Clamp to frame (1/4-20 x 5/8) (coach 00001 to 00516)	4
	20	M-25158	STUD, Clamp to frame weld (#10-24 x 1) (coach 00517 & up)	2
	20	M-25159	STUD, Clamp to frame weld (1/4-20 x 7/8) (coach 00517 & up)	1
	21	M-17047	WASHER, Clamp lock (#10)	3
	21	M-17033	WASHER, Clamp flat (#10)	3
	22	M-17052	NUT, Clamp stud (#10-24)	3
			The following parts used only on coaches equipped with a vapor emission system (also use cap 5101515, item 11).	
			<u>COACHES 00517 TO 00897</u>	
11-1	23	5101532	CANISTER, Emission vapor 4 port type (CCMI 3577584)	2
11-1		5101532-R001	ELEMENT, Vapor canister (CCMI 3577586)	1
		5106035	SUPPORT, Vapor canister attaching	1
		5101531	BRACKET, Canister to support (CCMI 3634722)	2
		M-18005	SCREW, Bracket to support (1/4-20 x 3/4)	6
		M-17024	WASHER, Bracket to support screw lock (1/4)	6
		M-17040	NUT, Bracket to support screw (1/4-20)	6
			NOTE: The following parts are inserted into the existing Chrysler Crankcase Ventilation System on the I440 engine series, coach 00517 & up.	
11-1	24	5101533	TEE, PCV to carburetor and canister line (3/8 x 3/8 x 1/4) (CCMI 3577585)	2
	25	5106033	TEE, Fuel tank to canister lines (5/16) (CCMI 1789071)	1
	26	5101534	TEE, Distributor to canister lines (3/16) (CCMI 3671410)	1
	27	5106034	CAP, Canister connection (3/8) (CCMI 3733285)	1
11-1	28	M-20015	HOSE, Carburetor to canister (3/8)	6 ft
	29	M-20016	HOSE, Tank to canister (5/16)	6 ft
	30	M-20088	HOSE, Distributor to canister (3/16)	3 ft
	31	M-20089	HOSE, PCV tee to carburetor and canister (1/4)	6 ft
		M-15047	TY RAP, Vacuum hose	3
			<u>COACHES 00880 AND UP</u>	
	32	5108625	CANISTER, Emission vapor 3 port type (CCMI 3577595)	2
		5101532-R001	ELEMENT, Vapor canister (CCMI 3577586)	2
	33	5106035	SUPPORT, Vapor canister (CCMI 3577586)	1
		5101531	BRACKET, Canister support (CCMI 3634722)	2
	34	M-18005	SCREW, Bracket to support (1/4-20 x 3/4)	6
		M-17024	WASHER, Bracket to support lock (1/4)	6
		M-17040	NUT, Bracket to support screw (1/4-20)	6
11-1	35	5108721	TEE, Canister purge line (TA 88-35014)	1
	36	5106033	TEE, Fuel tank to canister (CCMI 3671410)	1
	37	5106034	CAP, Canister connection (3/8) (CCMI 3733285)	2
	38	M-20016	HOSE, Tank to canister (5/16)	9 ft
	39	M-20089	HOSE, Carburetor to canister (1/4)	4 ft
11-1	40	M-20091	HOSE, PCV valve to carburetor (11/32)	2 ft
		M-15047	TY RAP, Vacuum hose	3
	41	M-24069	BUSHING, Tank to fuel line (coaches 1015 to 1020 only)	2
	42	M-24245	ELBOW, Tank to fuel line (coaches 1015 to 1020 only)	2
	43	M-24698	BARBED CONNECTION, Tank to fuel line (coaches 1010 to 1020 only)	

REPAIR PARTS LIST

GROUP 11 Fuel System

MODEL 2900R

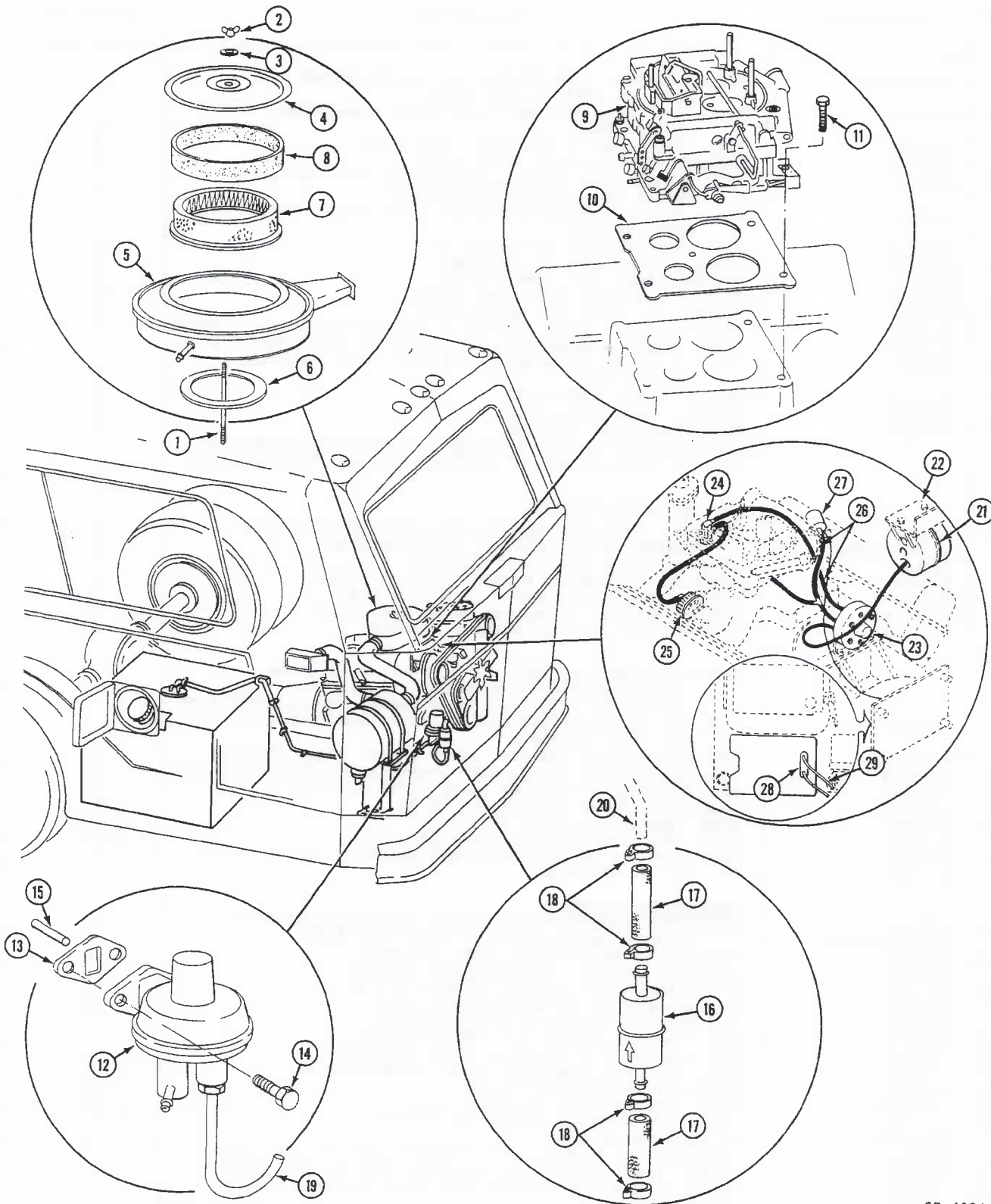


Figure 11-2. Engine Fuel Components

SD-1006

REPAIR PARTS LIST

GROUP 11
MODEL 2900R

FIG NO.	ITEM NO.	PART NUMBER	ITEM DESCRIPTION	QTY PER UNIT
			<u>ENGINE FUEL COMPONENTS</u>	
11-2	1	5100011-R109	AIR CLEANER ASSY, (CCMI 3462362)	1
	2	5100011-R051	STUD, Air cleaner mounting (CCMI 1826286)	1
	3	5100011-R126	NUT, Air cleaner wing (CCMI 6023310)	1
	4	5100011-R086	GASKET, Air cleaner cover (CCMI 2536016)	1
	5	5100011-R104	COVER, Air cleaner (CCMI 2951757)	1
11-2	6	5100011-R329	BODY ASSY, Air cleaner (CCMI 3751975) (supersedes 5100011-R110)	1
	7	5100011-R089	GASKET, Air cleaner (CCMI 2843071)	1
	8	5100011-R019	FILTER, Air cleaner (CCMI 2863349)	1
		5100011-R103	NIPPLE, Air cleaner (CCMI 2951755)	1
		5100011-R091	WRAP, Air cleaner (CCMI 2863322)	1
			NOTE: The above ten items used with Chrysler hat type air cleaner, coaches 00001 to 00547. For air cleaner on coaches above serial 00547 see Figure 11-3.	
11-2	9	5100011-R170	CARBURETOR ASSY, Engine (coach 00001 to 00956) (CCMI 3698398) (supersedes 5100011-R039)	1
		5100011-R330	KIT, Carburetor major repair (CCMI 3780163)	1
		5100011-R331	KIT, Carburetor minor repair (CCMI 3683980)	1
		5100011-R332	KIT, Carburetor gasket (CCMI 3683907)	1
		5100011-R333	NEEDLE AND SEAT, Carburetor main (CCMI 3621161)	1
		5100011-R334	JET, Carburetor main metering (CCMI 3744756)	1
		5100011-R335	JET, Carburetor secondary metering (CCMI 3683906)	1
		5100011-R336	PUMP JET AND HOUSING, Carburetor (CCMI 3621163)	1
		5100011-R337	DIAPHRAGM, Automatic choke (CCMI 3621210)	1
		5100011-R338	PLUNGER, Accelerator pump (CCMI 3780111)	1
		5100011-R339	CAP, Idle limiter screw (CCMI 3685661)	1
11-2	9	5108120-07	CARBURETOR ASSY, Engine (Coach 00957 and up) (CCMI 3870946)	1
		5108543-R005	KIT, Carburetor minor repair (CCMI 3837521)	1
		5108543-R006	KIT, Carburetor gasket (CCMI 3744757)	1
		5108543-R007	NEEDLE AND SEAT, Carburetor main (CCMI 2621161)	1
		5108543-R008	JET, Carburetor main metering (CCMI 3879839)	1
		5100011-R337	DIAPHRAGM, Automatic choke (CCMI 3621210)	1
		5100011-R338	PLUNGER, Accelerator pump (CCMI 3780111)	1
		5100011-R339	CAP, Idle limiter screw (CCMI 3685661)	1
		5100011-R217	CHOKE, Carburetor automatic (CCMI 3751485)	1
11-2	10	5100011-R085	CLIP, Automatic choke rod (CCMI 2465560)	1
		5100011-R040	GASKET, Carburetor to manifold (coach 00001 to 00956) (CCMI 3512870)	1
	10	5108120-08	GASKET, Carburetor to manifold (coach 00957 and up) (CCMI 3751286)	1
	11	M-18101	SCREW, Carburetor attaching (coach 00001 to 00956) (CCMI 180081)	4
	11	5108414-05	SCREW, Carburetor attaching (coach 00957 and up) (CCMI 181090)	4
	12	5100011-R340	PUMP, Engine fuel (CCMI 3780113) (supersedes 5100011-R044)	1
	13	5100011-R188	GASKET, Engine fuel pump (CCMI 2843770)	1
	14	5100011-R127	SCREW, Fuel pump attaching (CCMI 6023548)	2
11-2	15	5100011-R341	ROD, Fuel pump push (CCMI 3751613) (supersedes 5100011-R045)	1
	16	5100011-R369	FILTER, Engine fuel (CCMI 2084467) (supersedes 5100011-R042)	1
	17	5100011-R043	HOSE, Fuel filter to pump and carburetor (CCMI 1739236)	2
	18	5100011-R084	CLAMP, Fuel filter hose (CCMI 2448761)	4
	19	5108120-03	TUBE, Fuel pump to fuel filter (CCMI 3751054)	1

REPAIR PARTS LIST

GROUP 11
MODEL 2900R

FIG NO.	ITEM NO.	PART NUMBER	ITEM DESCRIPTION	QTY PER UNIT
			<u>ENGINE FUEL COMPONENTS (CONT)</u>	
11-2	20	5108120-01	TUBE, Filter to carburetor (CCMI 3751058) NOTE: The following exhaust emission items used from coach 00957 and up, Chrysler Engine #E273014.	1
	21	5108120-13	RESERVOIR, EGR Valve (CCMI 2837314)	1
	22	5108741	BRACKET, Reservoir mounting	1
	23	5108120-10	AMPLIFIER, Vacuum source (CCMI 3870650)	1
		5108120-11	BRACKET, Amplifier attaching (CCMI 3671414)	1
		M-20115	HOSE, Amplifier to reservoir (7/64)	3 ft
	24	5108120-12	SENSOR, Temperature/vacuum (CCMI 3830421)	1
11-2	25	5108543-R004	VALVE, Exhaust gas recirculation (CCMI 3698886)	1
		5100011-R372	GASKET, EGR valve mounting (CCMI 3698887)	1
		5108414-24	STUD, Valve to manifold (CCMI 6029996)	2
		5108414-01	NUT, Valve to manifold stud (CCMI 115729)	2
11-2	26	5108120-14	HARNES, Vacuum amplifier hose (CCMI 3897297)	1
	27	5108120-18	SOLENOID, Vacuum advance delay (CCMI 3874027)	1
		5108120-19	BRACKET, Delay solenoid (CCMI 3870484)	1
	28	5108120-21	SWITCH, Electric speed sensing (CCMI 3874129)	1
11-2	29	5108120-20	WIRING, Electric speed switch (CCMI 3738577)	1
		M-20155	HOSE, Distributor to carburetor (5/32)	1 ft

REPAIR PARTS LIST

GROUP _____
 MODEL 2900R _____

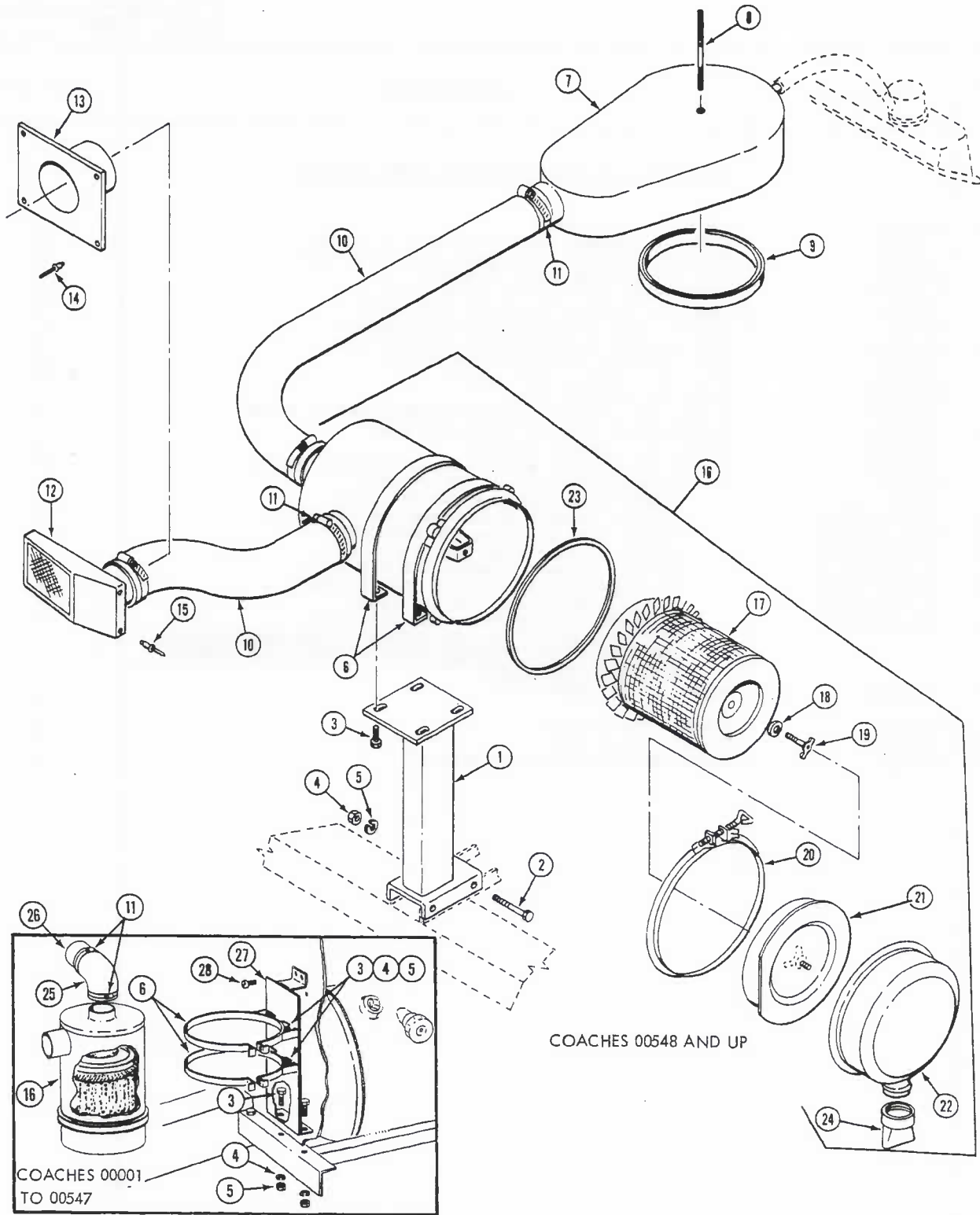


Figure 11-3. Donaldson Air Cleaner

SD-1040

REPAIR PARTS LIST

GROUP 11
MODEL 2900R

FIG NO.	ITEM NO.	PART NUMBER	ITEM DESCRIPTION	QTY PER UNIT
			<u>DONALDSON AIR CLEANER (COACH 00548 AND UP)</u>	
11-3	1	5106340	SUPPORT, Air cleaner	1
	2	M-14110	BOLT, Air cleaner support (3/8-16 x 4-1/2)	2
	3	M-18075	BOLT, Air cleaner to support (3/8-16 x 7/8)	4
	4	M-17010	NUT, Air cleaner bolt (3/8-16)	6
	5	M-17007	LOCKWASHER, Air cleaner bolt (3/8)	6
11-3	6	5106085	BAND, Air cleaner mounting (DN P4076)	2
	7	5106342	ADAPTER, Air cleaner hose to carburetor	1
	8	5106442	ROD, Adapter to carburetor (1/4-20 x 7)	1
	9	5106411	SEAL, Adapter to carburetor rubber	1
	10	M-20106	HOSE, Air cleaner (4" dia.)	4 ft
	11	M-24490	CLAMP, Air cleaner hose	4
11-3	12	5106255	SCOOP, Air cleaner intake (coach 00548 to 00600)	1
	13	5106498	ADAPTER, Air cleaner scoop to body	1
	14	M-25029	RIVET, Air cleaner adapter	4
	15	M-25034	RIVET, Air cleaner scoop (coach 00548 to 00600)	4
	16	5106087	AIR CLEANER ASSEMBLY (DN FWG10-0004)	1
	17	5106087-R001	ELEMENT, Air cleaner (DN P11-8159)	1
11-3	18	5106087-R002	GASKET, Element thumbscrew (DN P01-8462)	1
	19	5106087-R003	SCREW, Element thumb (DN P01-6984)	1
	20	5106087-R004	CLAMP, Cleaner body (DN P10-6071)	1
	21	5106087-R005	BAFFLE, Cleaner element (DN P10-3135)	1
	22	5106087-R006	CUP ASSY, Cleaner element (DN P10-3827)	1
	23	5106087-R007	GASKET, Cleaner cup (DN P10-1401)	1
11-3	24	5106087-R008	VACUATOR ASSY, Cleaner (DN P10-3198)	1
			<u>FOLLOWING DONALDSON AIR CLEANER ITEMS ARE PECULIAR TO KIT 5106380 FOR COACHES 00001 TO 00547 SEE SERVICE BULLETIN 2911-40001</u>	
	25	5106386	ELBOW, Air cleaner	1
	26	M22185	SLEEVE, Air cleaner	1
	27	5106381	BRACKET, Mounting	1
	28	M14038	SCREW, Mounting bracket (#10 x 1)	1

REPAIR PARTS LIST

GROUP 11 Fuel System
 MODEL 2900R

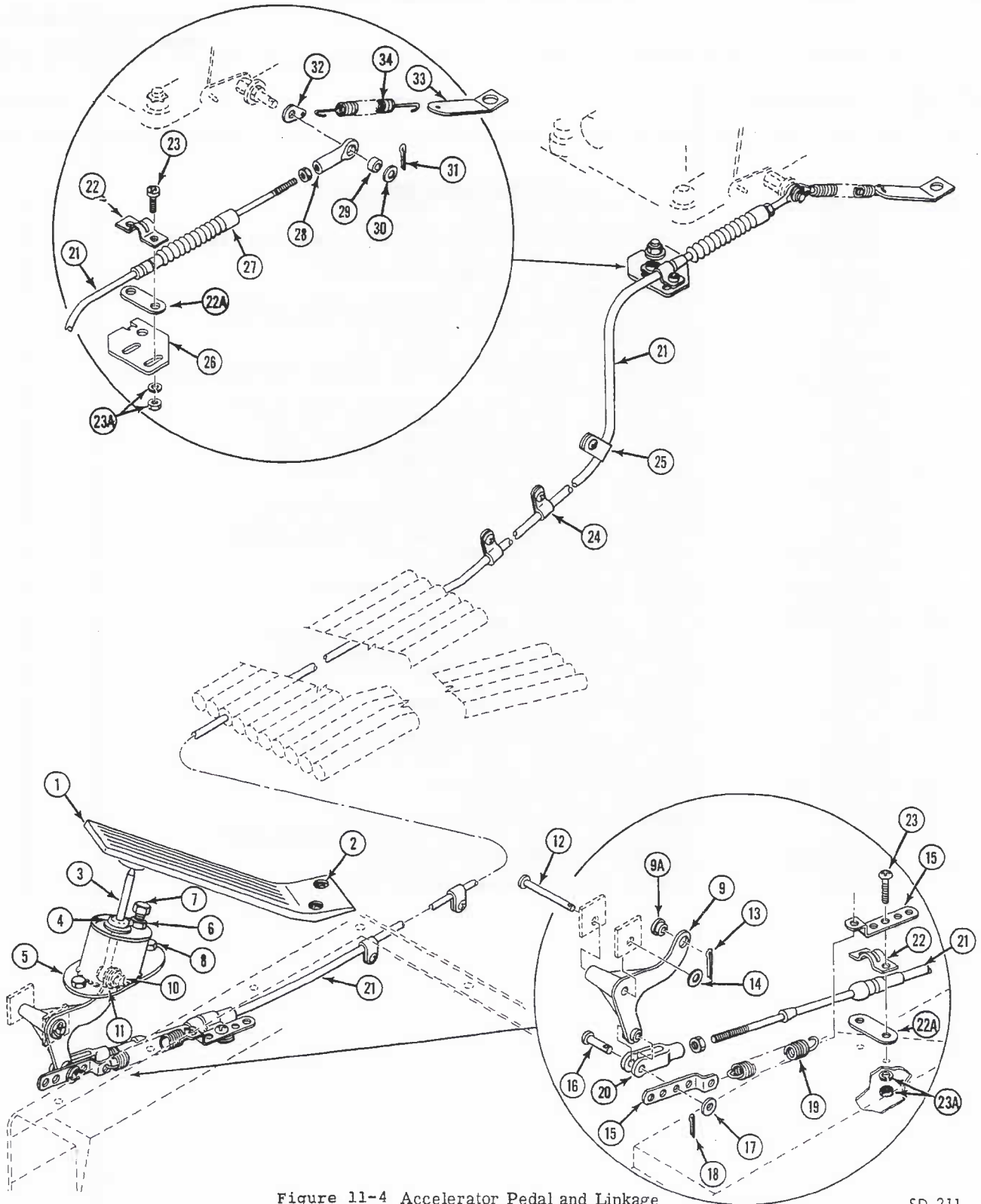


Figure 11-4 Accelerator Pedal and Linkage

SD-211

REPAIR PARTS LIST

GROUP 11 FUEL SYSTEM

MODEL 2900R

FIG NO.	ITEM NO.	PART NUMBER	ITEM DESCRIPTION	QTY PER UNIT
			<u>ACCELERATOR PEDAL AND LINKAGE</u>	
11-4	1	5100857-01	PEDAL, Accelerator (CCMI 2909038)	1
	2	M14253	SCREW, Accelerator pedal (5/16-18 x 1)	2
	3	5100857-03	PUSH ROD, Accelerator pedal to bellcrank (CCMI 2239606)	1
	4	5100857-02	BUSHING, Push rod housing (CCMI 498221)	1
	5	5109055	HOUSING, Push rod (supersedes 5100538)	1
		M14070	SCREW, Housing (#12 x 3/4)	2
	6	M17069	NUT, Accelerator pedal adjustment screw (3/8-16)	1
	7	M14221	SCREW, Accelerator pedal adjustment (3/8-16 x 1)	1
11-4	8	M14251	SCREW, Housing to frame (10-24 x 1)	2
		M17033	WASHER, Housing to frame screw (#10)	2
	9	5109005-01	BELLCRANK, W/bushing, throttle linkage (supersedes 5100540)	1
		5100979-01	BUSHING, Bellcrank	4
	10	M25041	COTTER PIN, Push rod to bellcrank (3/64 x 5/8)	1
	11	M17067	WASHER, Push rod to bellcrank (flat, 1/4 ID)	1
	12	M25078	CLEVIS PIN, Bellcrank fulcrum (1/4 x 2.53)	1
	13	M25041	COTTER PIN, Bellcrank fulcrum (3/64 x 5/8)	1
	14	M17067	WASHER, Bellcrank fulcrum (flat, 1/4 ID)	2
	15	5100980	BRACKET, Pedal spring adjusting	2
11-4	16	M25097	CLEVIS PIN, Adjusting bracket to bellcrank	1
	17	M17067	WASHER, Adjusting bracket pin (flat, 1/4 ID)	2
	18	M25041	COTTER PIN, Adjusting bracket pin (3/64 x 5/8)	1
	19	5100860-01	SPRING, Accelerator pedal return	1
	20	5100307-01	CLEVIS PIN, Bellcrank to cable	1
	21	5100309-01	CABLE, Accelerator pedal to carburetor	1
	22	5100308-01	CLAMP, Accelerator pedal cable	2
	22A	5100308-02	SHIM, Accelerator pedal cable	2
	23	M14252	BOLT, Accelerator cable clamp (10-32 x 1/2)	2
	23A	M17047	WASHER, Accelerator cable clamp bolt (#10)	2
	23A	M17043	NUT, Accelerator cable clamp bolt (#10-32)	2
11-4	24	M22043	CLAMP, Accelerator cable	4
	25	M14014	SCREW, Accelerator cable clamp (#* x 5/8)	4
	26	5100568	BRACKET, Accelerator cable (on engine)	1
		M17044	WASHER, Accelerator cable bracket (1/4 ID)	1
		M17040	NUT, Accelerator cable bracket (1/4-20)	1
	27	5101012	BOOT, Accelerator cable	1
	28	5100311-01	TERMINAL, Accelerator cable	1
	29	5100861	BUSHING, Cable terminal	1
	30	M17067	WASHER, Cable terminal bushing (14 ID)	1
	31	M25041	COTTER PIN, Cable terminal bushing (3/64 x 5/8)	1
	32	5100854-02	BRACKET, Cable terminal to spring	1
11-4	33	5100854-01	BRACKET, Cable terminal to engine	1
	34	5101013	SPRING, Cable terminal (engine end)	1

REPAIR PARTS LIST

GROUP 11 Fuel System

MODEL 2900R

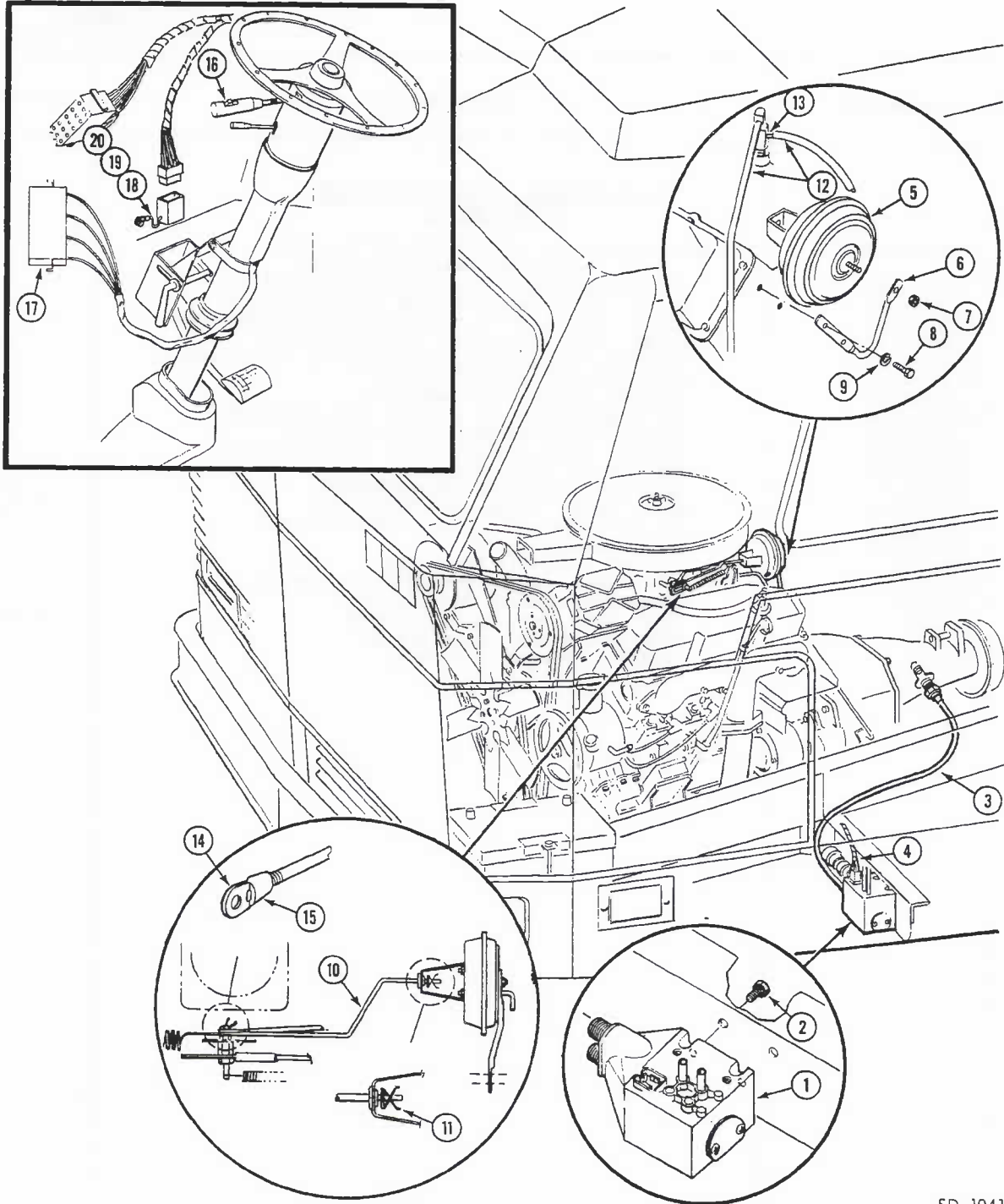


Figure 11-5. Cruise Control Installation.

SD-1041

REPAIR PARTS LIST

GROUP 11
MODEL 2900R

FIG NO.	ITEM NO.	PART NUMBER	ITEM DESCRIPTION	QTY PER UNIT
			<u>CRUISE CONTROL - PRODUCTION COACH</u> <u>00532 AND UP.</u>	
11-5		5101979-R020	KIT ASSEMBLY-CRUISE CONTROL (00001 To 00531) (See service bulletin 2911-40002)	1
	1	5101979-01	REGULATOR, Control speed (PCD-57D-08X06J)	1
	2	5101979-02	SCREW, Regulator attaching (PCD-55A-00385)	2
	3	5101979-12	CABLE, Regualtor to transmission (PCD-59C-0116)	1
		5101979-15	STRAP, Regualtor cable (PCD-55A-00673)	1
	4	5101979-R021	HARNES, Regulator to coach wiring (see Group 4)	1
	5	5101979-03	SERVO, Vacuum (PCD-53C-08X04H)	1
	6	5101979-04	BRACKET, Servo (PCD-59B01285)	1
	7	5101979-05	NUT & WASHER, Servo bracket (PCD-55A00102)	1
	8	5101979-06	SCREW, Servo bracket (PCD-55A-00701)	2
	9	5101979-07	WASHER, Servo bracket screw (PCD-55A00270)	2
	10	5101979-08	ROD, Servo (PCD-59B01286)	1
	11	5101979-09	RETAINER, Servo rod (PCD-55A00698)	1
	12	5101979-13	HOSE, Servo vacuum (PCD-59A01390)	5 ft
	13	5101979-14	TEE, Servo vacuum engine (PCD-59A01196)	1
	14	5100311-01	EYE, Throttle cable	1
	15	5100861	BUSHING, Throttle cable eye	1
	16	5106949	LEVER ASSY, Cruise control/turn signal	1
	17	5101138	CONNECTOR, Control lever wire	1
	18	M16010	WIRE, Stop light switch ground	2 ft
	19	M15031	TERMINAL, Ground wire slip on	1
	20	M15019	TERMINAL, Ground wire ring	1

REPAIR PARTS LIST

GROUP 11 Fuel System

MODEL 2900R

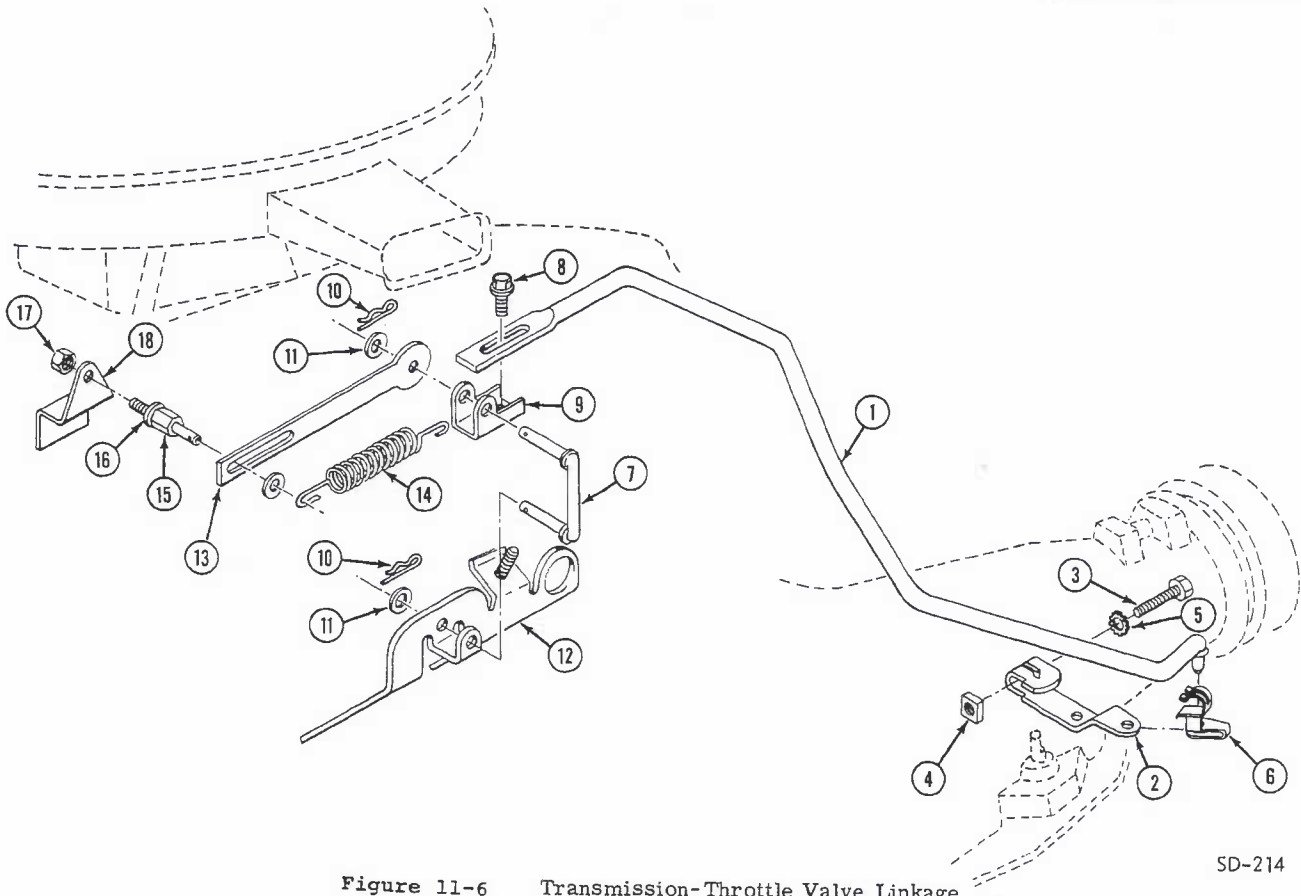


Figure 11-6 Transmission-Throttle Valve Linkage

SD-214

FIG NO.	ITEM NO.	PART NUMBER	ITEM DESCRIPTION	QTY PER UNIT
<u>TRANSMISSION - THROTTLE VALVE LINKAGE</u>				
11-6	1	5100011-R113	ROD, Carburetor linkage to transmission (CCMI 3577556)	1
	2	5100011-R094	LEVER, Transmission throttle valve (CCMI 2899370)	1
	3	M18021	BOLT, Transmission throttle valve lever (CCMI 180022)	1
11-6	4	M17070	NUT, Throttle valve bolt (CCMI 131395)	1
	5	M17024	WASHER, Throttle valve bolt lock (CCMI 121753)	1
	6	5100011-R134	CLIP, Throttle valve bolt (CCMI 6029009)	1
	7	5100011-R121	ROD, Bracket on engine to carburetor throttle (CCMI 3751125)	1
11-6	8	M14017	SCREW, Carburetor throttle rod (CCMI 180018)	1
	9	5100011-R106	RETAINER, Carburetor throttle rod (CCMI 3418808)	1
	10	5100011-R132	CLIP, Carburetor throttle rod (CCMI 6026776)	2
	11	5100011-R131	WASHER, Carburetor throttle rod (CCMI 6025050)	2
	12	5100011-R112	BRACKET ASSY., Carburetor throttle rod (CCMI 3577553)	1
11-6	13	5100011-R118	LINK, Carburetor throttle rod (CCMI 3671708)	1
	14	5100011-R098	SPRING, Carburetor throttle rod link (CCMI 2946637)	1
	15	5100011-R108	STUD, Carburetor throttle rod lever (CCMI 3418900)	1
	16	5100011-R125	CLIP, Throttle rod lever stud (CCMI 6023285)	1
	17	5100011-R133	NUT, Lever stud clip (CCMI 6028699)	1
11-6	18	5100011-R107	BRACKET, Throttle rod spring (CCMI 3418835)	1
		5100011-R041	CHOKE, Automatic (CCMI 3698356)	1
		5100011-R130	SCREW W/WASHER, Choke attaching (CCMI 6024560)	2
		5100011-R085	CLIP, Automatic choke (CCMI 2465560)	1