

Group 10 Parking Brake

GENERAL: This group contains information on the coach parking brake from the actuating lever to the transmission.

SPECIFICS: As applicable

...Parking Brake Cables and Hardware

...Parking Brake Lever and Hardware

. . . Parking Brake Components



FMC Corporation
Motor Coach Division
333 Brokaw Road Box 664 Santa Clara California 95052

REPAIR PARTS LIST

GROUP 10 Brakes - Parking
MODEL 2900R

SD-490

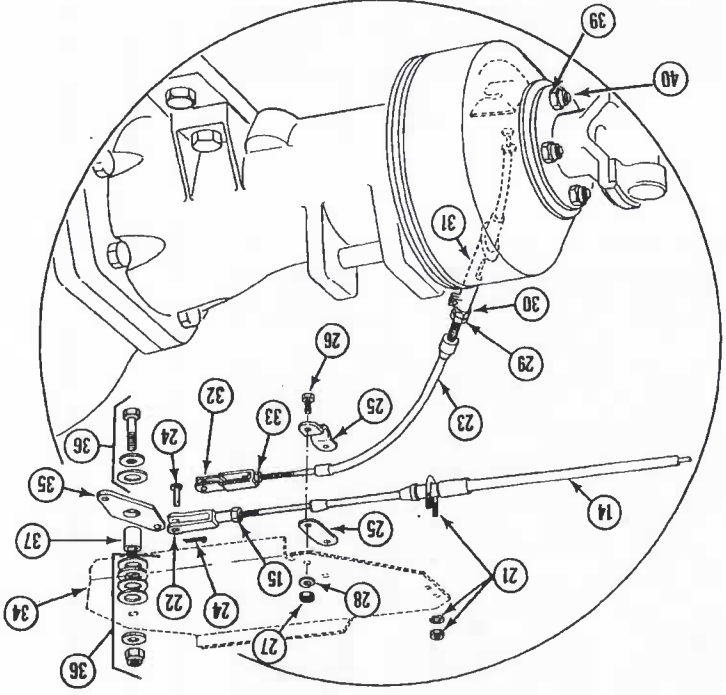
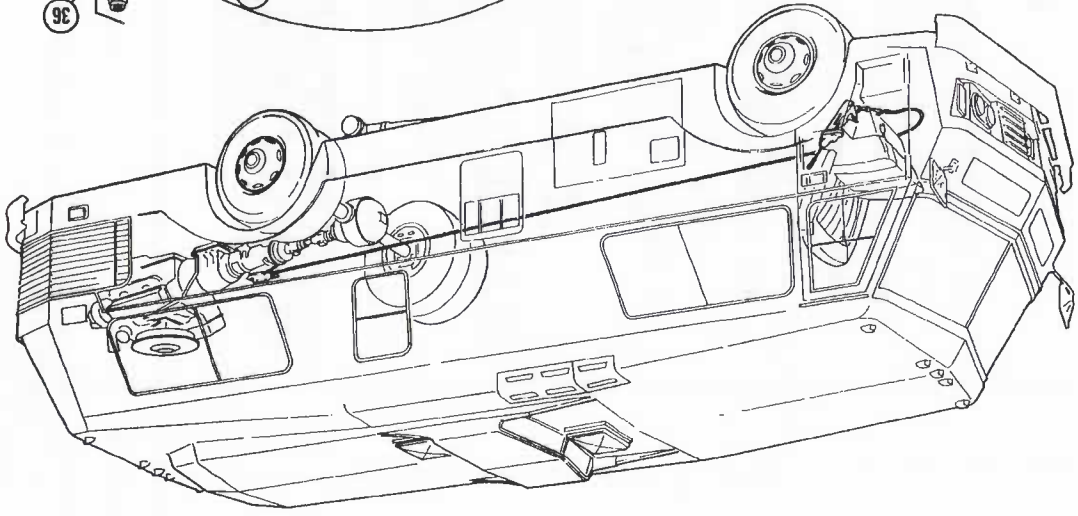
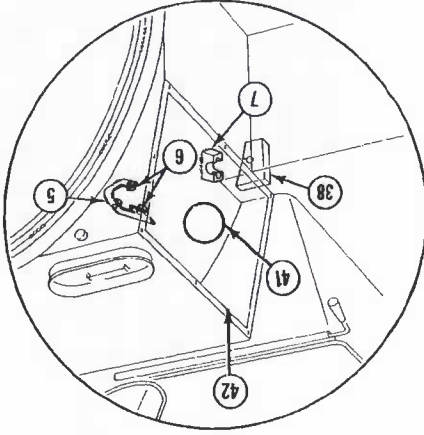
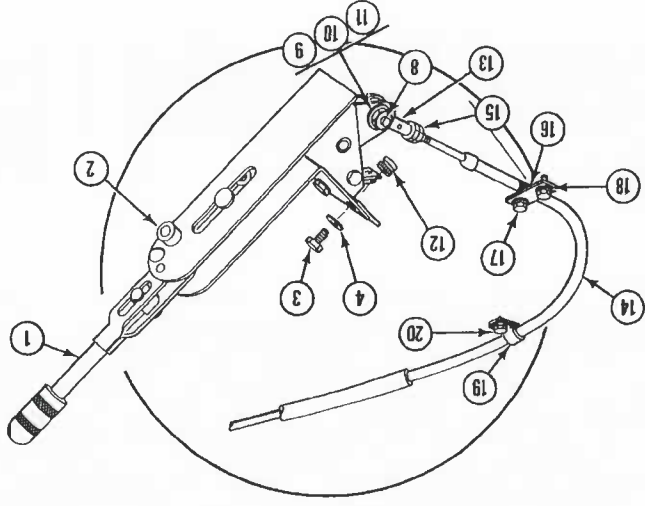


Figure 10-1. Parking Brake and Cable Assembly



FMC Corporation
Motor Coach Division
333 Brookaw Road Box 664 Santa Clara California 95052

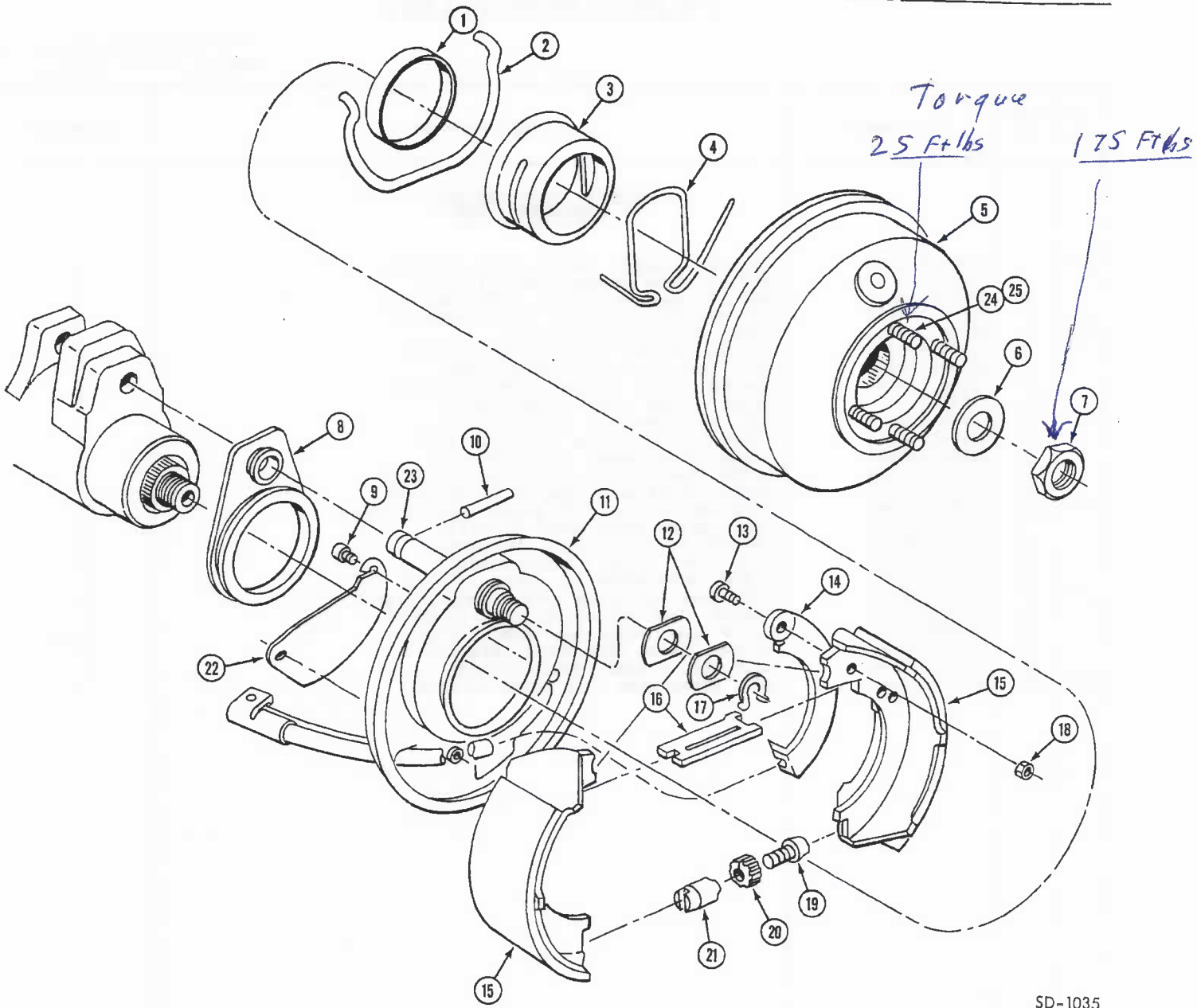
REPAIR PARTS LIST

GROUP 10
MODEL 2900R

| FIG NO. | ITEM NO. | PART NUMBER | ITEM DESCRIPTION | QTY PER UNIT |
|---------|----------|---|--|--------------|
| 10-1 | 1 | 5100324 | BRAKE LEVER ASSY, Hand (OBL 3100-C23A-1400) | 1 |
| | 2 | M18048 | BOLT, Brake lever assy to frame (5/16-18 x 1-3/4) | 1 |
| | 2 | M17042 | WASHER, Brake lever assy to frame bolt, split (5/16 ID) | 1 |
| | 3 | M18033 | BOLT, Brake lever assy to bracket hex hd (5/16-18 x 3/4) | 2 |
| | 4 | M17042 | WASHER, Brake lever assy to bracket bolt, split (5/16 ID) | 2 |
| | 5 | 5100537-01M | BRACKET AND NUT ASSY, Hand brake (welded to frame) (coach 00001 to - 00799) | 1 |
| 10-1 | 6 | 5108061 | BRACKET, Hand brake (welded to frame)-(coach 00800 & up) | 1 |
| | 7 | 5100976-04 | NUT, Hand brake bracket (5/16-18) | 3 |
| | 8 | 5100537-02 | BLOCK, Hand brake cable (welded to frame) | 1 |
| | 9 | M18076 | BOLT, Brake lever to rod end (3/8-16 x 1-5/8) | 1 |
| | 10 | M17010 | NUT, Brake lever assy to rod end bolt, hex (3/8-16) | 1 |
| 10-1 | 11 | M17007 | WASHER, Brake lever assy to rod end bolt, split (3/8 ID) | 1 |
| | 11 | M17004 | WASHER, Brake lever assy to rod end bolt, Flat (3/8 ID) | 1 |
| | 12 | 5100976-04 | NUT, Hand brake switch (5/16-18) | 1 |
| | 13 | 5100883-01 | ROD END, Forward cable assy to brake lever assy | 1 |
| | 14 | 5100323 | CABLE ASSY, Forward rod end to clevis pin assy | 1 |
| 10-1 | 15 | M17032 | NUT, Cable clevis (3/8-24) | 2 |
| | 16 | 5100304-01 | PLATE, Forward cable assy retaining | 1 |
| | 17 | M18075 | SCREW, Retaining plate to block (3/8-16 x 7/8) | 2 |
| | 18 | M17007 | WASHER, Retaining plate to block screw, split (3/8 ID) | 2 |
| | 19 | M22036 | CLAMP, Forward cable assy support (3/4) | AR |
| | 20 | M14037 | SCREW, Forward cable assy support clamp to frame (No. 10 x 3/8) | AR |
| | 21 | 5100321-01 | U-BOLT ASSY, Forward cable assy to bell-crank to assy | 1 |
| | 22 | 5100320-01 | CLEVIS ASSY, Forward cable assy to bell-crank | 1 |
| | 23 | 5100317-01 | CABLE ASSY, Aft, parking brake lever to bell-crank (OBL 15296000) | 1 |
| | | M25093 | COTTER PIN, Aft cable clevis to bell-crank attaching (3/32 x 3/4) | 1 |
| 10-1 | 24 | M25092 | HEADED PIN, Aft cable clevis to bell-crank (3/8 x 3/4) | 1 |
| | 25 | 5100318-01 | CLAMP, Aft cable assy to bell-crank assy | 1 |
| | 26 | M18024 | BOLT, Clamp to bell-crank assy, hex hd (3/8-16 x 3/4) | 2 |
| | 27 | M17010 | NUT, Clamp to bell-crank assy bolt, hex (3/8-16) | 2 |
| | 28 | M17007 | WASHER, Clamp to bell-crank assy bolt, split (3/8 ID) | 2 |
| 10-1 | 29 | 5100316-01 | NUT, Aft cable assy, lock | 1 |
| | 30 | 5100315 | NUT, Aft cable assy adjusting | 1 |
| | 30 | 5100314-01 | WASHER, Outer, after cable assy | 1 |
| | 31 | 5100313-01 | BUSHING, Aft cable assy | 1 |
| | 31 | 5100312-01 | WASHER, Inner, aft cable assy | 1 |
| 10-1 | 32 | 5100317-R001 | CLEVIS, Aft cable to bell-crank | 1 |
| | 33 | 5100317-R002 | NUT, Clevis to aft cable (1/4-28) | 2 |
| | 34 | 5100362 | BELL-CRANK AND BRACKET ASSY, Hand brake | 1 |
| | | M18037 | BOLT, Bell-crank assy to frame (1/2-13 x 1-1/4) | 2 |
| | | M17055 | NUT, Bell-crank assy to frame bolt 1/2-13) | 2 |
| | M17006 | WASHER, Bell-crank assy to frame bolt, split (1/2 ID) | 2 | |
| 10-1 | 35 | 5100362-02 | BELL-CRANK, Forward cable assy to aft cable assy | 1 |
| | 36 | M18026 | BOLT, Bell-crank to channel (1/2-13 x 2) | 1 |
| | 36 | M17049 | NUT, Bell-crank to channel bolt, lock (1/2-13) | 1 |
| | 36 | M17048 | WASHER, Bell-crank to channel bolt, flat (3/4) | AR |
| | 36 | M17012 | WASHER, Bell-crank to channel bolt, flat (9/16) | 2 |
| | 37 | 5100362-03 | TUBE, Bell-crank and channel spacer (1/2 ID x 3/4 OD x 1) | 1 |
| | 38 | 5106001 | PLUG, Brake cable to frame closure | 1 |
| | 39 | 5100011-R221 | NUT, Drum bolt (CCMI-9419656) | 4 |
| | 40 | 5100011-R220 | BOLT, Drum flange (CCMI-1946283) | 4 |
| | 41 | M20013 | GROMMET, Brake cable (left wheel well) | 1 |
| | 42 | 5107148-13 | COVER, Brake adjustment access | 1 |
| | | M14017 | SCREW, Access Cover | 4 |

REPAIR PARTS LIST

GROUP 10 Parking Brake
MODEL 2900R



SD-1035

Figure 10-2. Parking Brake Assembly - Component Parts

REPAIR PARTS LIST

GROUP 10
MODEL 2900R

| FIG NO. | ITEM NO. | PART NUMBER | ITEM DESCRIPTION | QTY PER UNIT |
|--|----------|--------------|--|--------------|
| <u>PARKING BRAKE ASSEMBLY- COMPONENT PARTS</u> | | | | |
| 10-2 | 1 | 5100011-R213 | SLEEVE, Support spacer (CCMI-1488890) | 1 |
| | 2 | 5100011-R196 | SPRING, Shoe return (CCMI-1403611) | 1 |
| | 3 | 5100011-R212 | SHIELD, Support grease (CCMI-1488901) | 1 |
| | 4 | 5100011-R203 | SPRING, Grease shield (CCMI-1530775) | 1 |
| 10-2 | 5 | 5100011-R193 | DRUM, Brake (CCMI-1949579) | 1 |
| | 6 | 5100011-R395 | WASHER, Output shaft (CCMI-2204543) | 1 |
| | 7 | 5100011-R394 | NUT, Output shaft (CCMI-2125080) | 1 |
| | 8 | 5100011-R226 | SPACER, Brake support (CCMI-1488889) | 1 |
| | 9 | 5108121-44 | SCREW, Brake cover (CCMI-425577) | 1 |
| 10-2 | 10 | 5100011-R433 | PIN, Brake support (CCMI-141160) | 2 |
| | 11 | 5100011-R211 | SUPPORT, Brake shoe (CCMI-1738221) | 1 |
| | 12 | 5100011-R199 | GUIDE, Shoe anchor (CCMI-1403574) | 1 |
| | 13 | 5100011-R224 | SCREW, Operating lever (CCMI-1929685) | 2 |
| | 14 | 5100011-R222 | LEVER, Brake operating (CCMI-2227695) | 1 |
| 10-2 | 15 | 5100011-R194 | SHOE AND LINING ASSY, Brake (CCMI-2240637) | 1 |
| | 16 | 5100011-R223 | LINK, Brake lever (CCMI-1406677) | 2 |
| | 17 | 5100011-R198 | WASHER, Brake anchor (CCMI-600983) | 1 |
| | 18 | 5100011-R225 | NUT, Lever screw (CCMI-2129684) | 2 |
| | 19 | 5100011-R200 | SCREW, Shoe adjusting (CCMI-1314478) | 1 |
| 10-2 | 20 | 5100011-R201 | NUT, Shoe adjusting screw (CCMI-1314477) | 1 |
| | 21 | 5100011-R204 | SLEEVE, Shoe adjusting (CCMI-1314476) | 1 |
| | 22 | 5100011-R202 | COVER, Shoe adjusting (CCMI-1317858) | 1 |
| | 23 | 5100011-R197 | ANCHOR, Brake shoe (CCMI-1488884) | 1 |
| | 24 | 5100011-R220 | BOLT, Brake drum (CCMI-1946283) | 1 |
| 10-2 | 25 | 5100011-R221 | NUT, Brake drum bolt (CCMI-9419656) | 4 |
| | | | | 4 |